



Combine harvesters

LEXION

6900 6800 6700 6600 5500 5400 5300



True revolutions
start in the heart.

LEXION 6000 / 5000

We've listened to you.

And now you can look forward to a combine harvester which has never existed in this form before. A combine harvester which we have redesigned and redeveloped from the ground up in close cooperation with farmers, contractors and operators. Because we know the LEXION means as much to them as it does to us.

The results of this process include the APS SYNFLOW WALKER, a threshing system which revolutionises the straw-walker machine segment and delivers more throughput with the usual, excellent straw quality. And because one revolution leads to others, all the parameters of the new LEXION which make your harvest a success have also been optimised: efficiency, precision, comfort and reliability. Experience the revolution in your fields now!



Enough to make your heart beat faster.
LEXION 6900-5300.



Made to break records.
The new LEXION 6900.

Revolutions don't always happen from one day to the next. Sometimes they need time to mature. In 1995, for example, our LEXION 480 Hybrid set an initial threshing record of 40 tonnes of grain per hour. And now the new LEXION 6900 has taken things to a new level by breaking the original record and doing so with an output even higher than expected. Typical LEXION, in fact.

The new record was set on the island of Rügen, where 110 hectares of winter wheat were waiting to be threshed under the watchful eye of journalists from "profi" magazine. Equipped with CEMOS AUTOMATIC and the 10.8-metre wide CONVIO, the LEXION showed what it was capable of during the 8-hour session. Light rain meant that the threshing conditions were far from ideal. The LEXION operated the whole time in chopping mode. The result:

8 hrs	34.5 ha	349.8 t	43.7 t/h	0.8-1%	16.6-19.3%	1.55 l/t
Threshing time	Threshing area	Crop yield	Throughput	Loss rate	Grain moisture	Fuel consumption

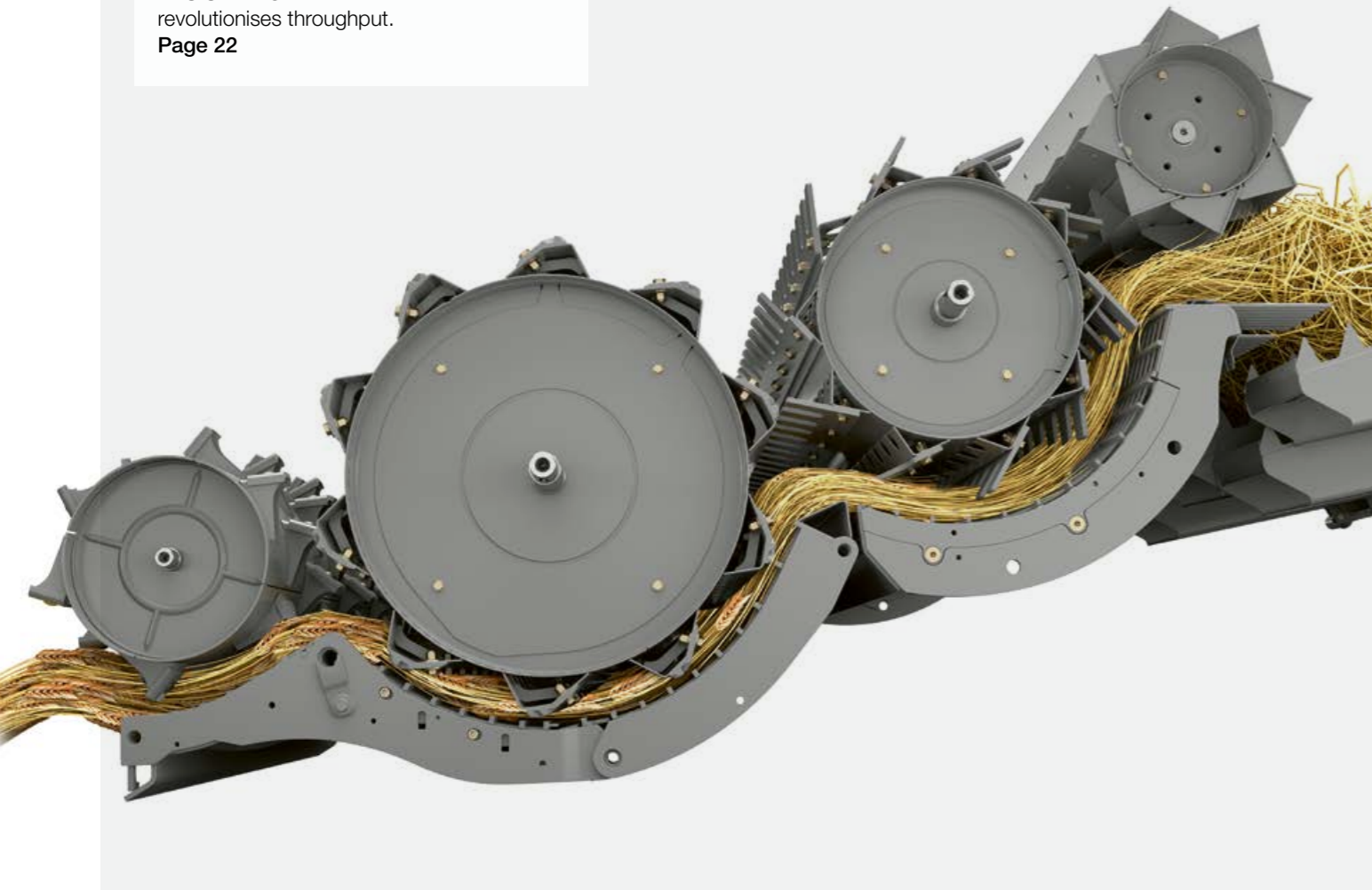
The revolution and its advantages	
Efficiency	6
Precision	8
Convenience	10
Reliability	12
Front attachments	14
Feeder housing	18
Crop flow	20
APS SYNFLOW WALKER	22
Threshing unit	24
Straw walker	26
Crop cleaning	28
Grain collection	30
Chaff and straw spreading	32
CLAAS POWER SYSTEMS	34
DYNAMIC POWER	36
DYNAMIC COOLING	38
Ground drive and drive concept	40
TERRA TRAC	42
Cab	44
Comfort cab	46
Control concept	48
CEMOS AUTOMATIC	52
Operator assistance systems	54
FLEET VIEW and TELEMATICS	56
Automatic steering systems	58
Maintenance	60
CLAAS Service & Parts	62
Technology in detail	64
Features	66
Technical data	67



Almost 44 t/h with
6 straw walkers.
Further information.

Efficiency means success.

APS SYNFLOW WALKER revolutionises throughput.
Page 22



40 km/h gets you there quickly.
Page 40



Increase your productivity.

At the end of a day's harvesting, the only thing that counts is how quickly and effectively you have been able to work. With the new LEXION, you can get even more out of your already limited time, and save fuel because the machine only makes its maximum output available when you actually need it.

New solutions that boost your efficiency:

- APS SYNFLOW WALKER threshing system with maximum separation performance
- Large threshing and separator drums with a straight crop flow
- Grain tank for up to 13,500 l and 180 l/s unloading rate
- DYNAMIC POWER and DYNAMIC COOLING in all models
- JET STREAM grain cleaning as standard
- 40 km/h top speed for wheeled machine and TERRA TRAC version



JET STREAM cleans your grain impeccably.
Page 28

13,500 litres unloaded in 75 seconds.
Page 30

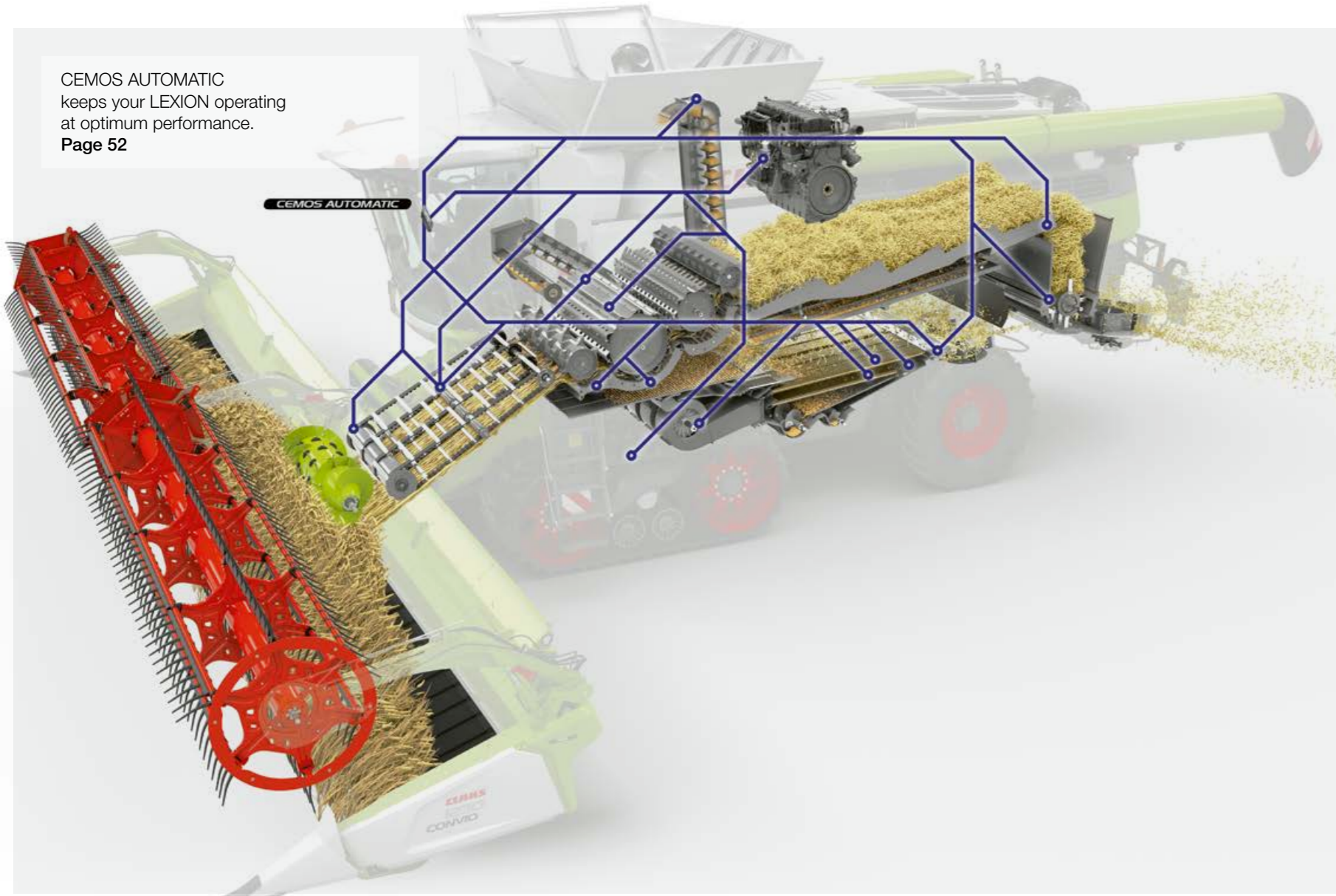


DYNAMIC COOLING provides cooling as required.
Page 38



DYNAMIC POWER saves up to 10% of fuel.
Page 36

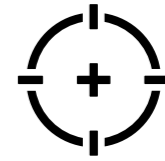
Precision means profitability.



CEMOS AUTOMATIC keeps your LEXION operating at optimum performance. **Page 52**



AUTO SLOPE reduces your workload on slopes. **Page 54**



Make use of its intelligence.

Every millimetre that helps you achieve a better harvest result counts for us. In the new LEXION, you can rely on self-learning operator assistance systems, such as CEMOS AUTOMATIC, which help you perform your precision work.



FIELD SCANNER gives you a free hand. **Page 58**

What's new and improves your precision:

- CEMOS AUTOMATIC continuously optimises threshing unit, cleaning system and crop flow
- CEMOS AUTO THRESHING can now also adjust the threshing concave bar and flap
- CEMOS AUTO CHOPPING optimises straw management and fuel consumption
- The FIELD SCANNER detects the edge of the crop and recognises tramlines
- Remote Service connects your machines and speeds up service support



CEMOS AUTO CHOPPING was awarded the DLG Silver Medal in 2019. **Page 32**

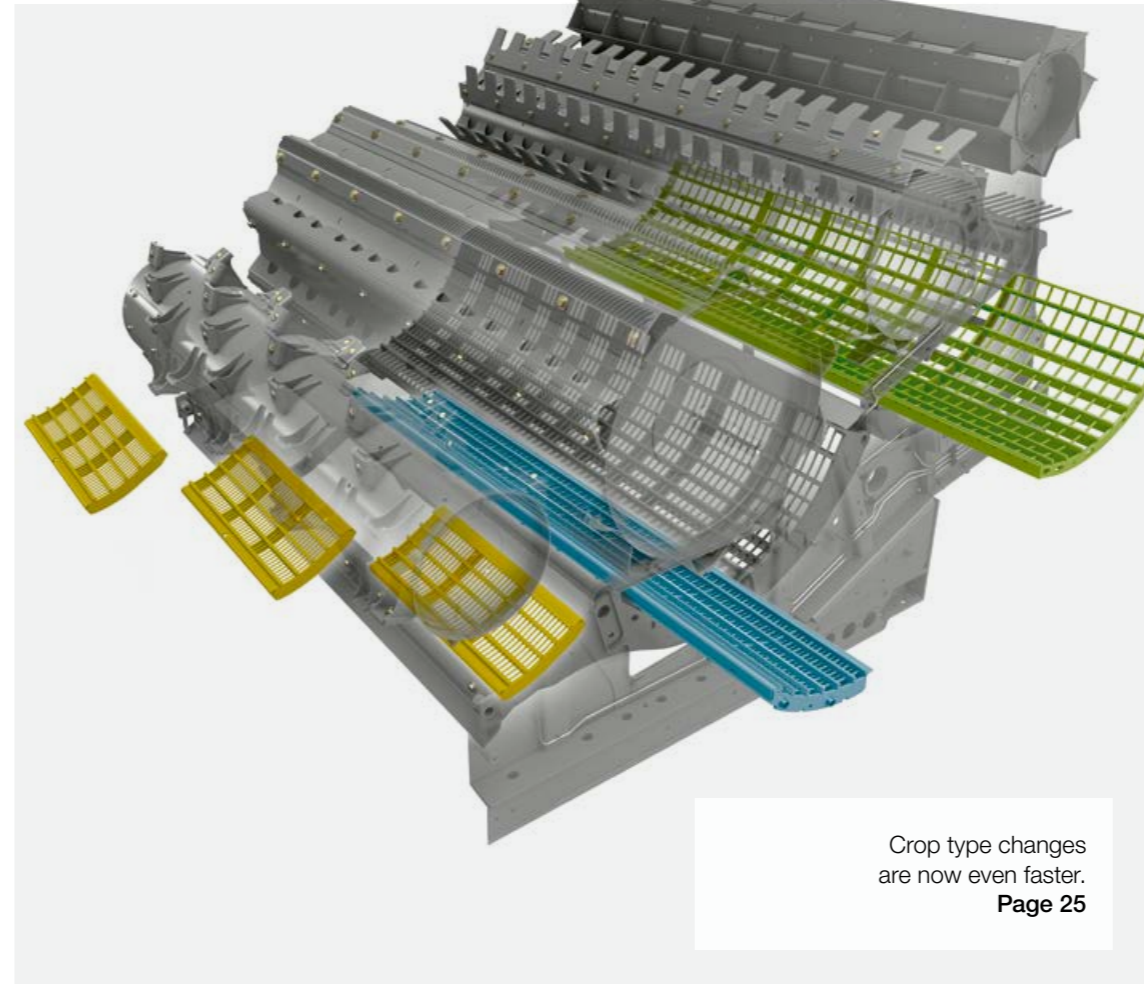


CEMOS AUTO THRESHING can be operated via CEBIS. **Page 53**

Comfort improves performance.



LEXION comfort cab provides more space and control options. **Page 46**



Crop type changes are now even faster. **Page 25**



Harvest for longer.

Few, if any, brands can match CLAAS for comfort features which make your work in the field easier or even do away with some tasks altogether. The new functions of the LEXION offer operators a maximum of individual support so that they remain focused and productive – regardless of how early they start work or how late they stop.

New features for enhanced comfort:

- CEBIS terminal with touchscreen and slide controllers for CEMOS AUTOMATIC
- Fast crop type changes requiring only a few, simple actions
- Larger grain tank inspection window for fast crop inspection
- Unloading tube with 105° pivot angle
- Large cool box with active cooling



Direct controls in the armrest provide access to the most important functions. **Page 49**

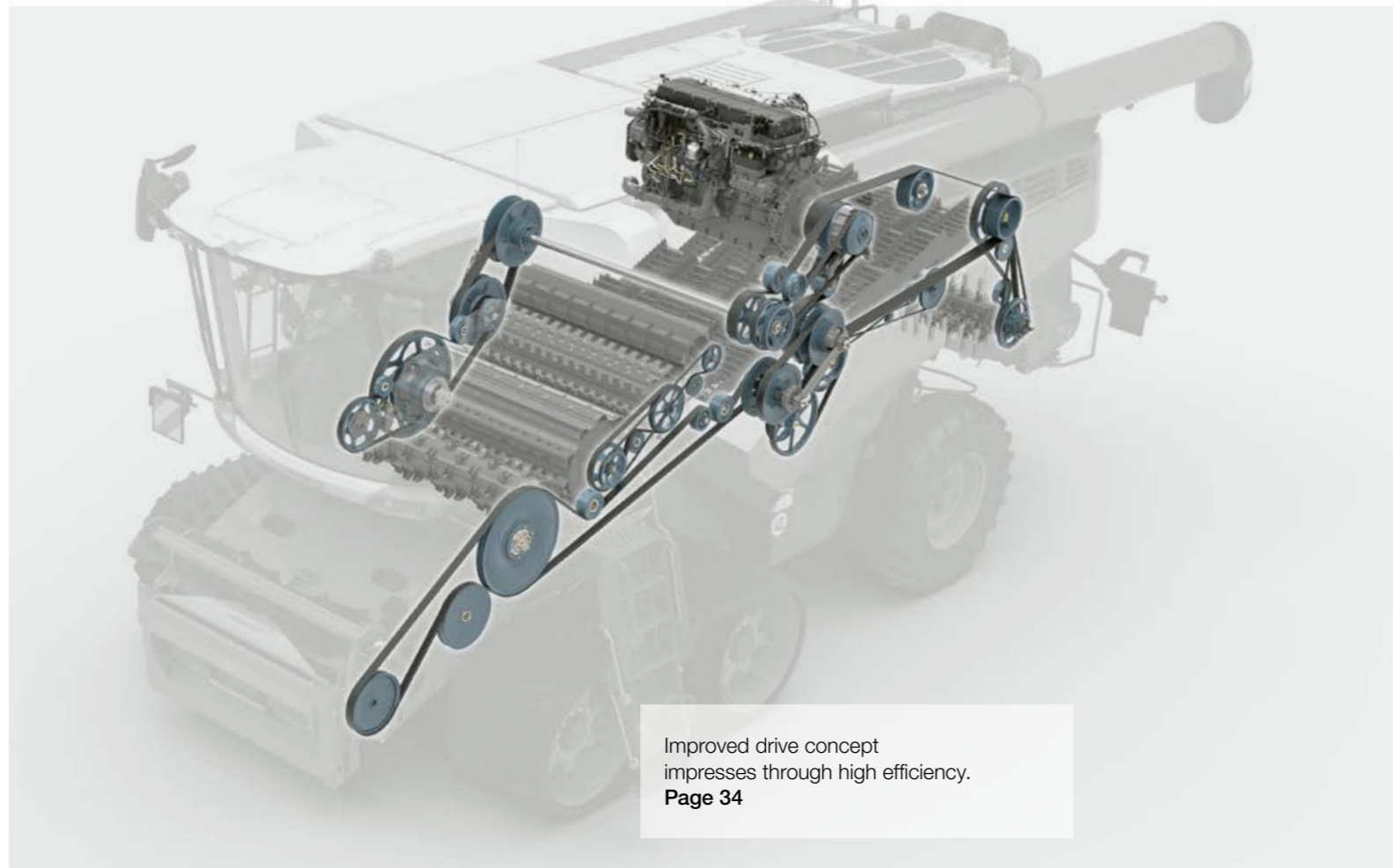


CEBIS touchscreen is as easy to use as your smartphone. **Page 50**

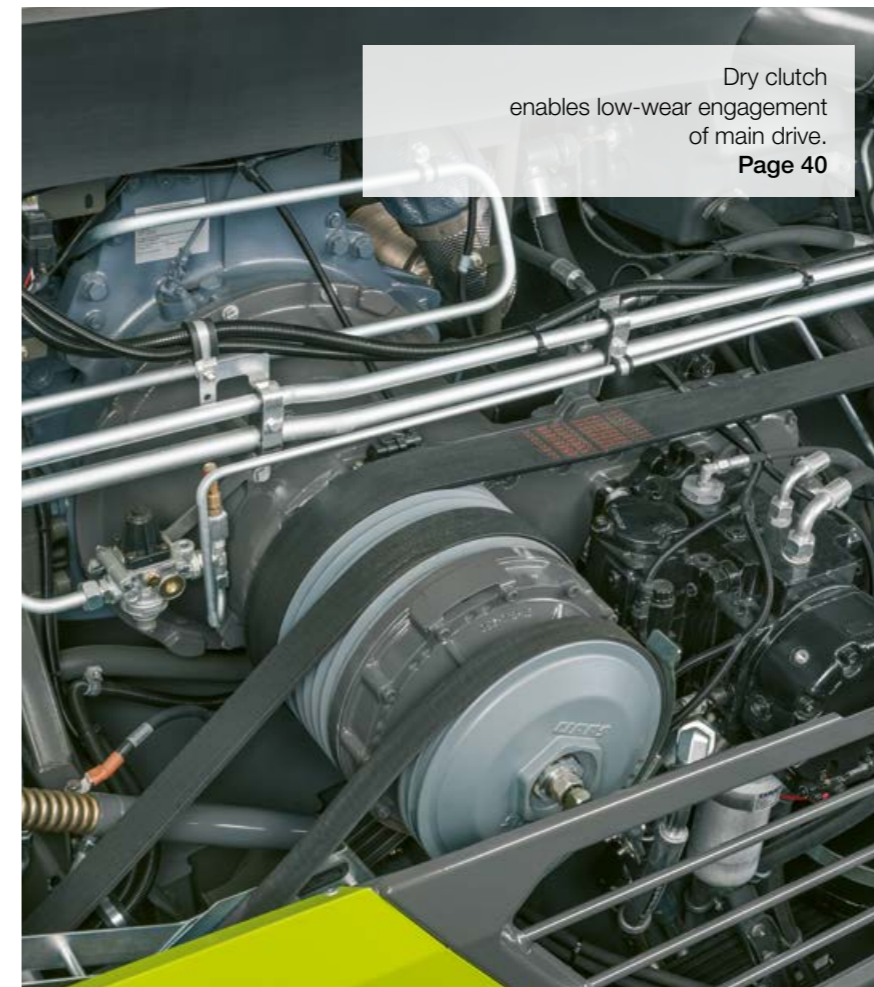


CMOTION multifunction lever can be operated intuitively. **Page 49**

Reassuringly reliable.



Improved drive concept impresses through high efficiency.
Page 34



Dry clutch enables low-wear engagement of main drive.
Page 40

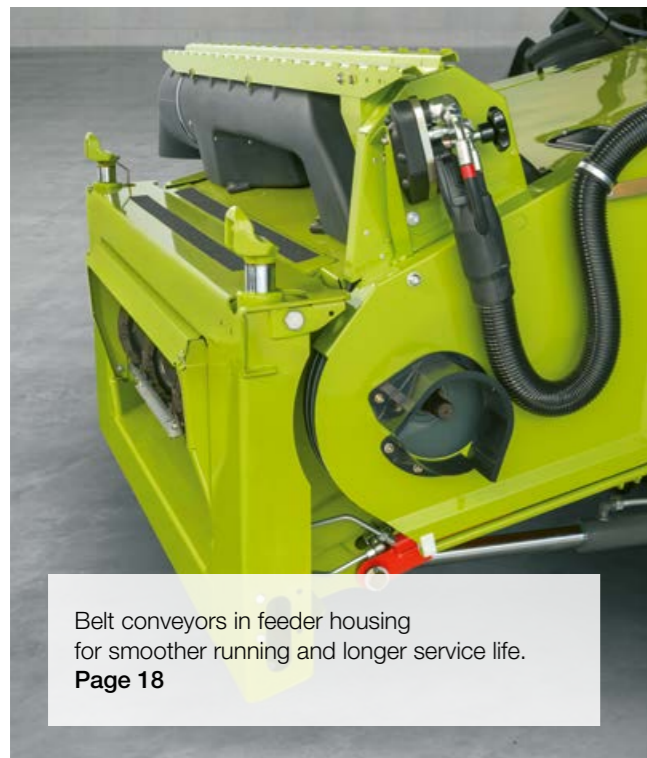


You can count on it.

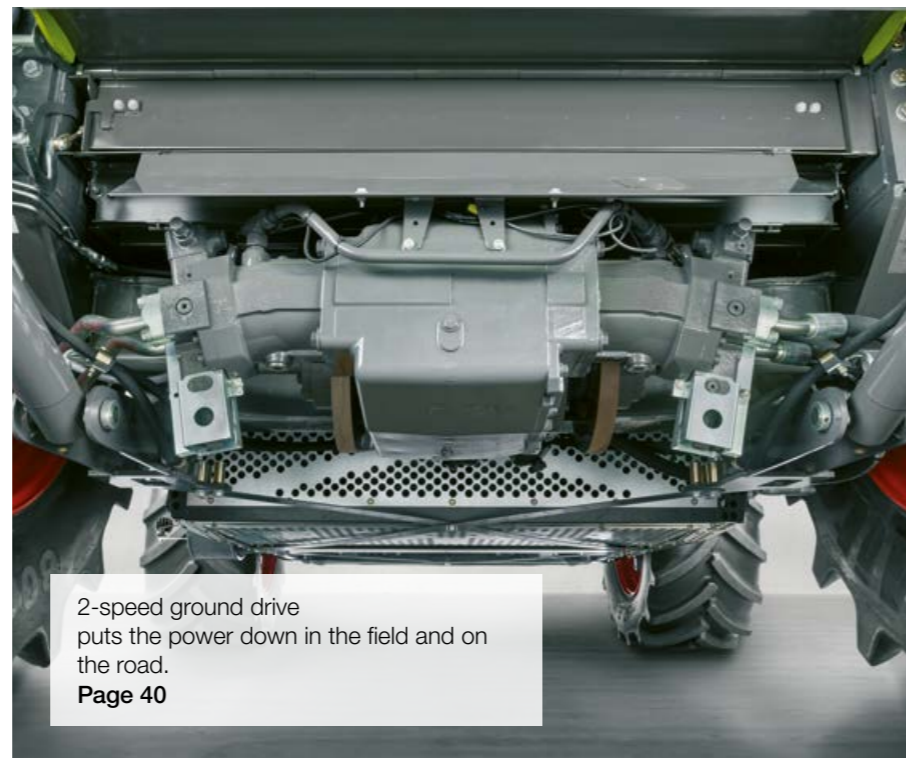
Harvesting is subject to more than enough factors over which man cannot exert any influence. The combine harvester should not be one of them. That is why we have given the new LEXION an intelligent drive concept which keeps maintenance requirements low and operating reliability high.

New features which ensure you stay up and running:

- Central lubrication system for all lubrication points, including the variators
- Integrated overload protection to avoid blockages in the threshing unit
- More powerful dust extraction with enlarged cross-section
- Belt conveyors for V and HP feeder housing with twice the service life of a feeder chain
- Lowered floor plate in feeder housing for higher throughput



Belt conveyors in feeder housing for smoother running and longer service life.
Page 18



2-speed ground drive puts the power down in the field and on the road.
Page 40



Automatic parking brake for greater safety when machine is stationary.
Page 40

The revolution starts here.



Cutterbars for all crops.

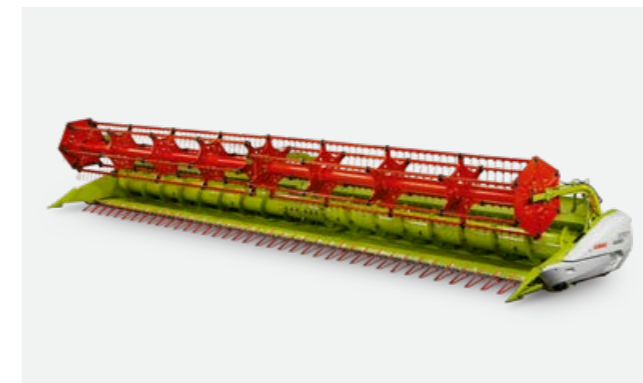
The harvesting process starts with the front attachment and only the right cutterbar will allow your machine to work effectively and to perform to the highest standard. Whether you are harvesting grains, such as wheat, rye, barley, oats and triticale or rapeseed, maize, sunflowers, rice, soya, flax, beans, lentils, millet, grass seed or clover seed, CLAAS front attachments allow you to make full use of the potential of your LEXION.

Choose your front attachment.

Regardless of where in the world you are harvesting, CLAAS has the right cutterbar for every threshable crop.



combine-front-attachments.claas.com



VARIO



CERIO



CONVIO / CONVIO FLEX



C 540 / C 450 – folding cutterbars



CORIO / CORIO CONSPEED



MAFLEX



SUNSPEED



SWATH UP

On top of the job right from the start.

The LEXION detects its front attachments.

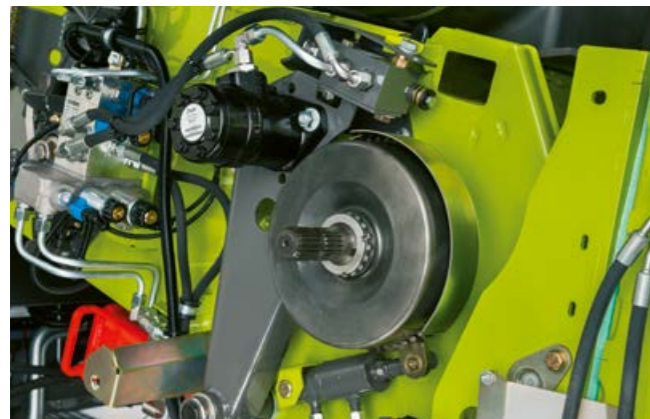
Automatic front attachment detection reduces your operators' workload substantially before harvesting even starts and also helps to prepare the combine harvester more quickly. In order to allow the LEXION to adjust its key parameters to the new front attachment, the latter supplies the combine harvester with the following information:

- Cutterbar type
- working width
- Number of sections
- Reel position
- Parking position for reel and VARIO cutterbar table
- AUTO CONTOUR set values for working height and hectare counter
- Operating hours meter and maintenance counter



Front attachment brake and reverser to enhance safety.

The front attachment brake offers you effective protection against foreign objects. In an emergency, the front attachment can be stopped immediately via the multifunction control lever. Blockages can be overcome with gentle reversing with high starting torque. The direction of rotation of the reel also changes automatically. The reverser is operated from the comfort of the cab.



Multicoupler saves time.

The central coupling for all hydraulic and electronic connections saves you valuable time when fitting and removing the cutterbar. The high-quality, wear-free multicoupler is suitable for all models of front attachment. It is located on the left-hand side near the front attachment lock. No connections need to be made on the right-hand side.



AUTO CONTOUR - precise cutterbar control.

AUTO CONTOUR adjusts every cutterbar to the terrain precisely by reliably compensating for all ground irregularities parallel and transverse to the direction of travel. Sensor bands under the cutterbar are deflected by the undulations and trigger the actuation of the corresponding cutterbar ram. The desired cutting height is programmed via CEBIS.

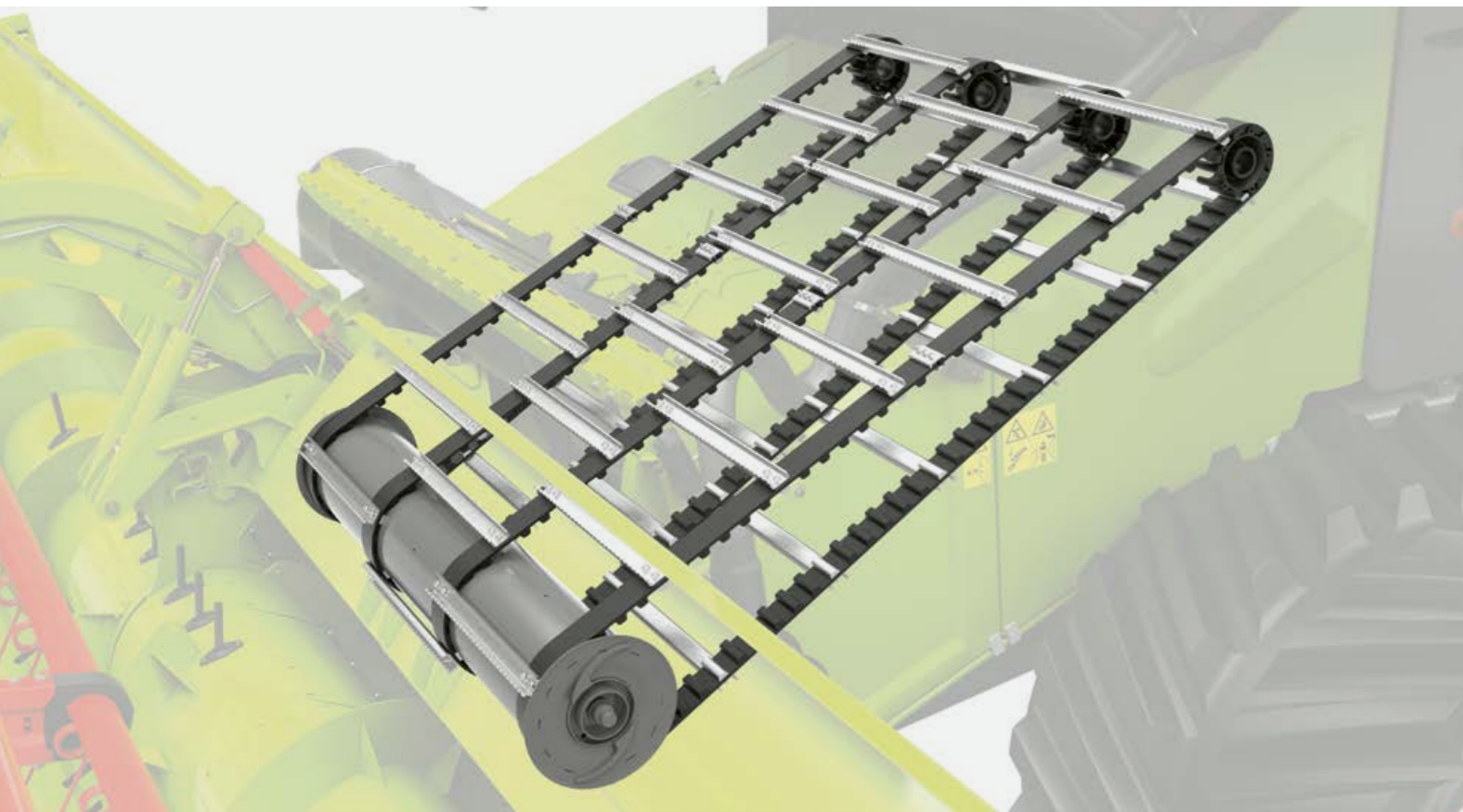
AUTO CONTOUR

- Allows the front attachment to work smoothly and provides gentle damping
- Reduces the operators' workload considerably when wide cutterbars are used
- Is ideal at night, in lodged crops, on side slopes and on stony ground
- Increases output and makes the LEXION even more cost-effective

New features that reduce your workload:

- Automatic front attachment detection means that the LEXION is ready for action even faster
- Fast response of front attachment brake protects the threshing unit from foreign objects
- Powerful reversing action of feeder housing, intake auger and reel keeps downtime to a minimum
- Central multicoupler for all connections saves time when fitting and removing cutterbar
- AUTO CONTOUR adjusts every cutterbar to the terrain precisely

The feeder housing takes things as they come.



Belt conveyors with twice the service life.

As an option, every feeder housing of the new LEXION is available with belt conveyors linking the reinforced feeder slats. You benefit from them every minute the machine is in use, as belt conveyors run more smoothly and quietly than conventional chain conveyors and require less maintenance too. Their average service life is also twice as long and they are extremely resistant to damage from stones and other foreign objects.

Feeder housing without support roller.

The redesigned feeder housing does not require a central support roller. As a result, it is less susceptible to disruption by foreign objects in the crop flow.

New features that make the feeder so effective:

- Belt conveyors for V and HP feeder housing are more robust and require less maintenance than chains
- Belt conveyors provide stability and operating reliability
- Dust extraction with enlarged cross-section delivers even greater cleaning performance
- The additional fan on the feeder housing prevents dust deposits
- The height of the feed roller can be adjusted in the HP feeder housing without tools
- A lowered floor plate enables even higher throughputs



V feeder housing.

The V feeder housing allows you to carry out fast, mechanical adjustment of the cutting angle. The height of the guide roller can be adjusted easily. You can order the V feeder housing ex factory with chain or belt conveyors as well as with an open or closed guide roller.

The advantage for you:

By adjusting the cutting angle, you can harvest lodged crops, soybeans and grass more easily and with reduced losses as the tendency for the crop to pile up is reduced.



HP feeder housing.

Using the multifunction lever in the cab, you can perform continuous hydraulic adjustment of the cutting angle of the HP feeder housing from -8° to $+11^\circ$ – when running at full speed with the front attachment fitted. You can store a separate cutting angle for each of four cutting heights in CEBIS.

The advantage for you:

Easy cutting angle adjustment in response to changing crops (lodged crops), threshing crops (soybeans, grass) or terrain conditions (slopes, undulating terrain).



Standard feeder housing.

The standard feeder housing with a manual tensioning system is available with chain or belt conveyors as well as with an open or closed guide roller. The simplified height adjustment procedure for the guide roller enables a fast changeover from maize to small grains.

The advantage for you:

Can be used universally for all cutterbars with a working width of up to 12.30 m or for maize pickers up to 12 rows.

Revolution: when peak performance becomes the new normal.

Designed to be taken to the limit.

Feeder housing, threshing system, secondary separation, straw management – in theory, there are many parameters which can be improved to accelerate the crop flow. And in practice, too. Working in close cooperation with our customers, we have rethought all the systems in the new LEXION from the ground up. On top of this, we have provided the operators with assistance systems so that they can run this machine permanently at its performance limits.



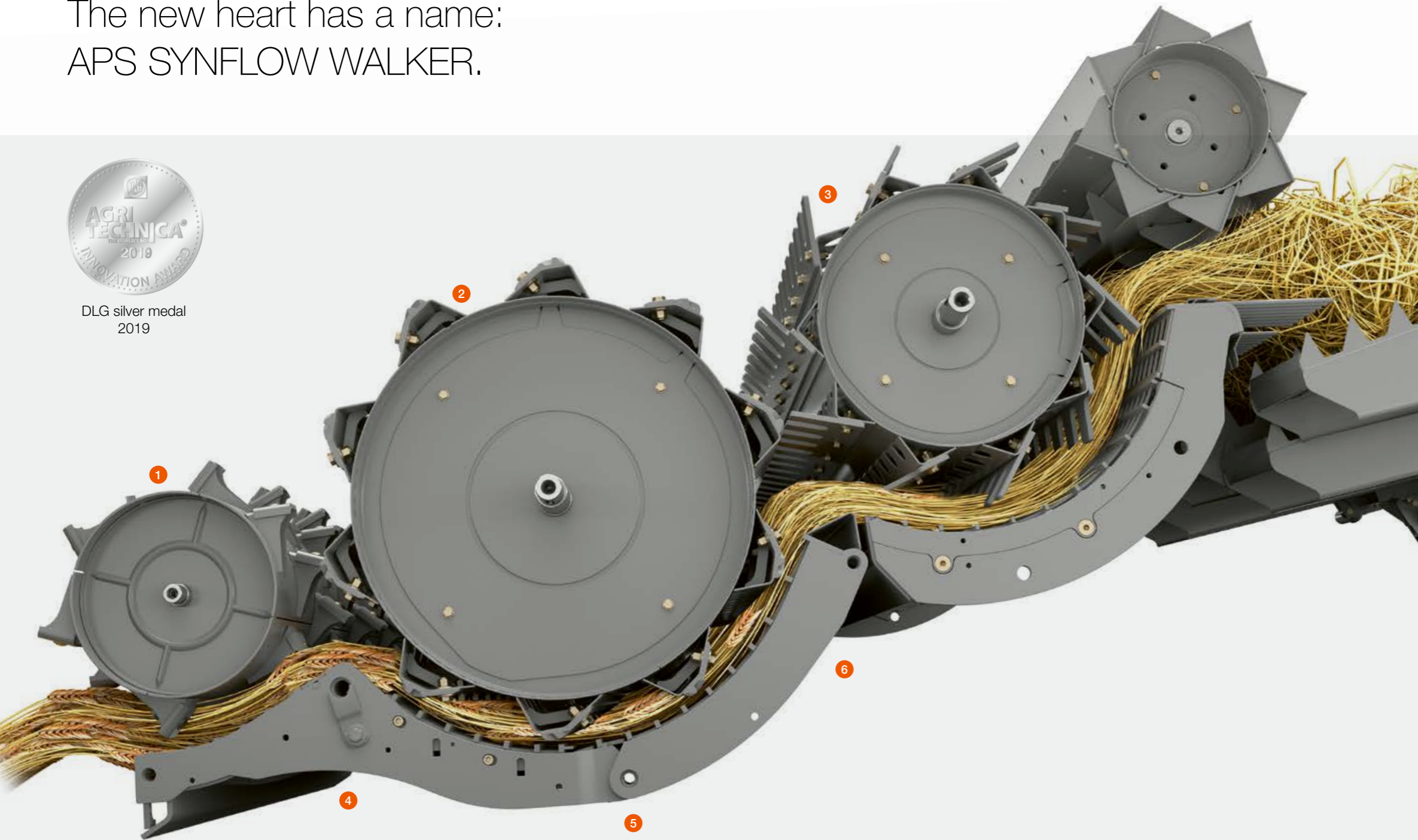
Fast crop flow from feeder housing to chaff spreader.



The new heart has a name: APS SYNFLOW WALKER.



DLG silver medal
2019



1 Maximum separation performance.

Smooth acceleration of crop flow to as much as 20 m/s under the threshing drum.

2 755 mm threshing drum.

Threshing drum enlarged by 26% for optimal crop flow.

3 600 mm separator drum.

Large, additional separator drum with active separation delivers greater throughput.

4 Pivoting concave bar.

Can be engaged hydraulically via CEBIS for fast adjustment to the threshing conditions.

5 Hydraulic threshing concave flap.

Can be engaged hydraulically from the cab or manually from the outside in the event of a change in harvesting conditions.

6 Synchronised adjustment.

The preconcave and threshing concave are adjusted in parallel. The drum speed changes are synchronised.

Excellent straw quality.

The APS SYNFLOW WALKER threshing system is gentle on the straw as a result of a particularly straight crop flow. This design means that the crop takes the shortest path through the threshing unit. The large diameter of the threshing and separator drums enables small contact angles and flat transitions between the drums. The outlet of the separator concave is larger than its inlet. The increasing width of the gap prevents the crop from building up and causing congestion. There is hardly any mechanical stress on the straw.

Exceptional throughput.

Numerous adjustment options increase straw quality as well as throughput. These include the parallel, independent adjustment of the threshing and separator concaves, the threshing drum speed reduction gearbox and the pivoting concave bar. The APS system (APS: Accelerated Pre Separation) accelerates the crop flow smoothly to as much as 20 m/s and generates high centrifugal force for maximum separation performance across all concave areas.



Experience perfect
crop flow in action.

APS SYNFLOW

threshes every crop.

Increase throughput by 25%.

The new APS SYNFLOW WALKER threshing system opens up a new category in the straw walker combine harvester segment. It brings together the accelerated crop flow provided by APS with an additional separator drum after the threshing drum. In this way, you can benefit from exceptional throughput rates with excellent straw quality at the same time.

Synchronous speed adjustment.

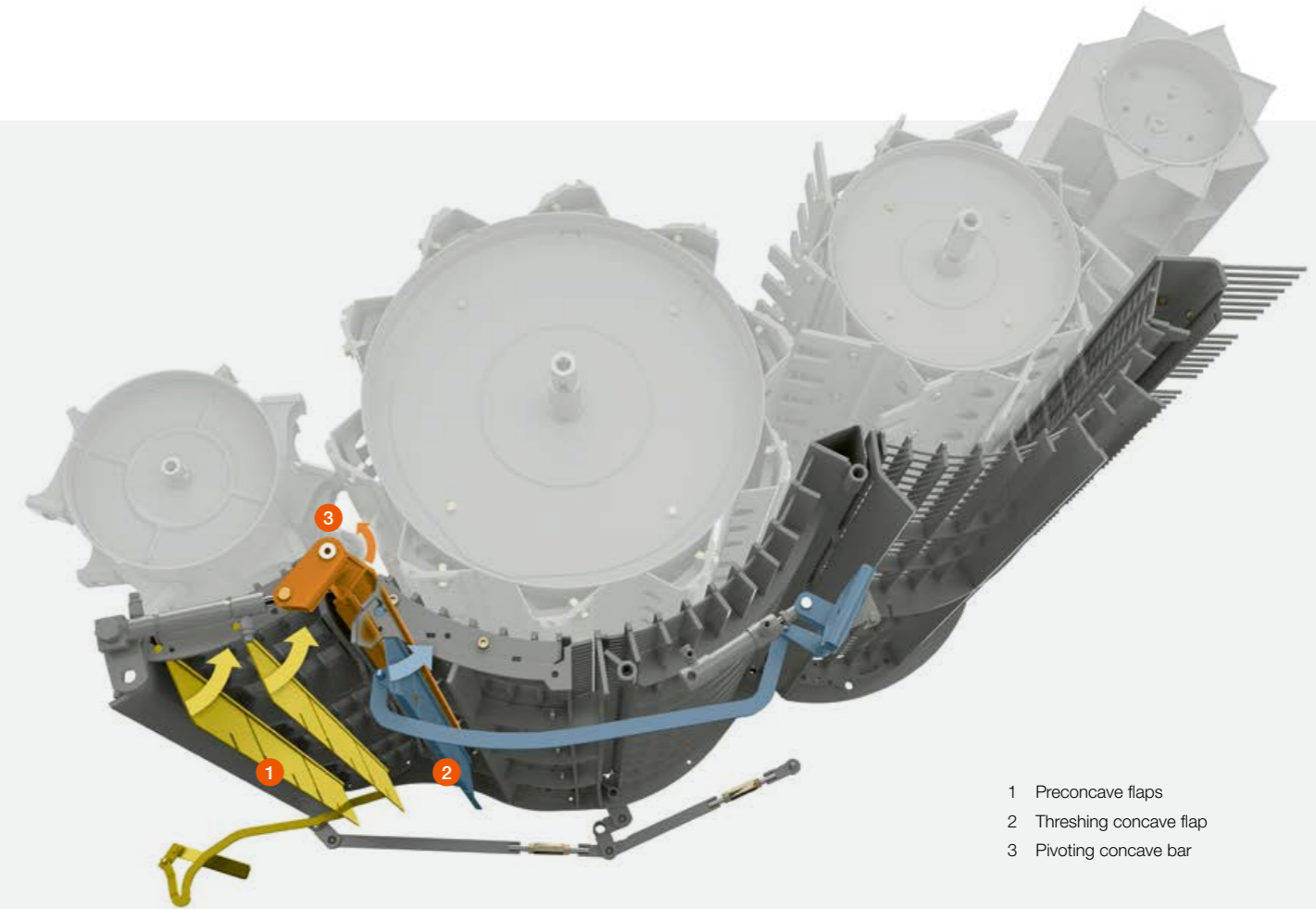
The threshing drum speed can be matched easily to all conditions and crop types. It can be adjusted in CEBIS to any setting between 330 and 930 rpm. The speeds of the accelerator drum, the separator drum and the impeller change in synchronisation.

Easy actuation of preconcave flap and threshing concave flap.

In order to react to a change in crop type or for flexible adjustment of the friction path in the threshing and separation sections, the operator can engage the preconcave flap and the threshing concave flap manually from outside. The threshing concave flap is also available with optional hydraulic adjustment. When this option is specified, it can be operated conveniently from the cab and is integrated in CEMOS AUTO THRESHING.



Crop type change
in 60 seconds.



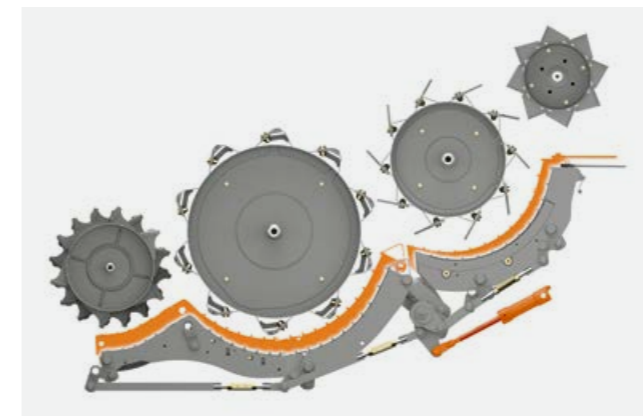
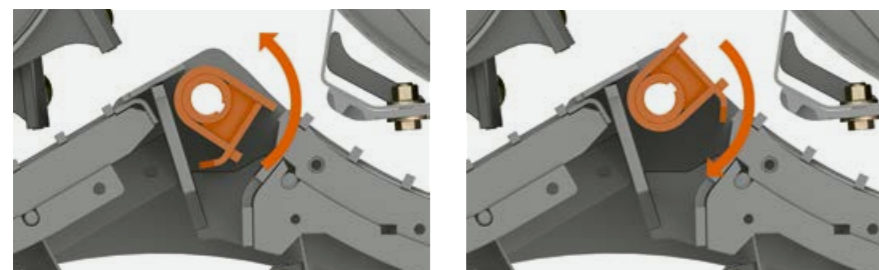
- 1 Preconcave flaps
- 2 Threshing concave flap
- 3 Pivoting concave bar

Hydraulically pivoting threshing concave bar.

For clean threshing under all conditions, including when deawning or decortication is difficult, the threshing concave bar can be pivoted hydraulically via CEBIS. Like the hydraulic actuation of the threshing concave flap, this comfort feature is integrated in CEMOS AUTO THRESHING.

Perfect adjustment of threshing unit.

In order to align your LEXION optimally with your business and your preferred crops, six threshing unit versions and three rework kits are available to match the profile of the areas you work. The range allows you to find the ideal threshing unit for rice, maize, beans and grains with high or low yields.



Parallel adjustment of threshing concave.

CEBIS allows infinitely variable hydraulic adjustment of the position of the threshing concave. As this involves the parallel and synchronised adjustment of the preconcave, threshing concave and separator concave, you can be certain that the entire crop flow will run evenly while handling the straw gently. Integrated overload protection prevents blockages and protects the threshing unit from damage.



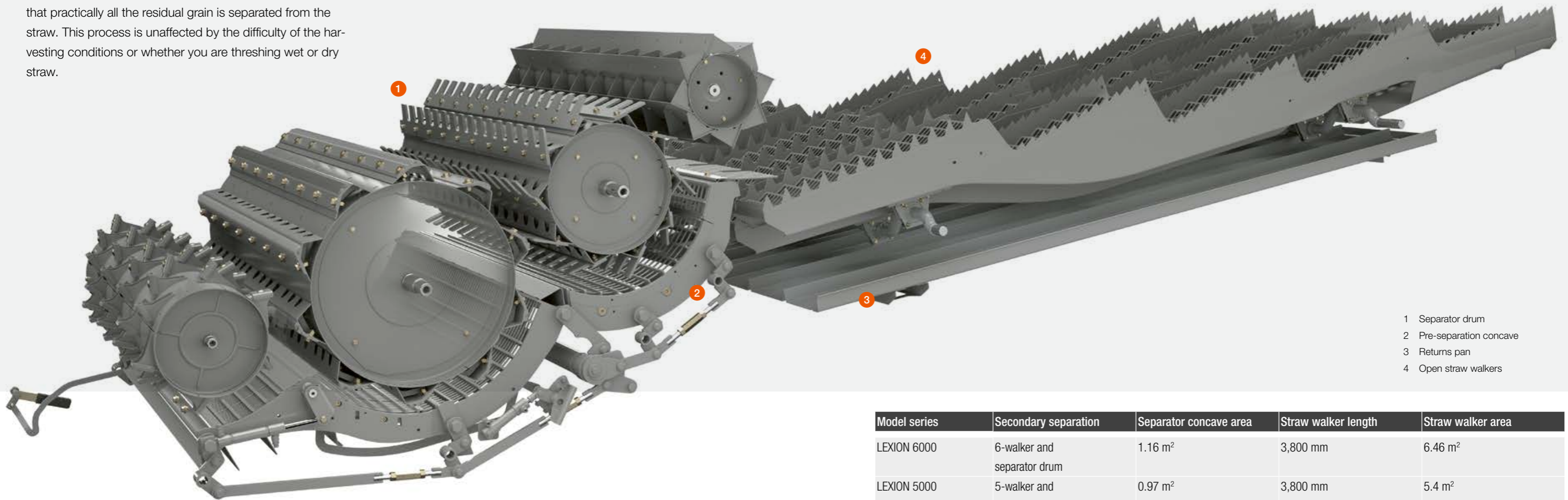
Change concave segments quickly.

Changeover times from one crop type to another are getting ever shorter. When a changeover is carried out, the main components of the threshing concave remain in the machine. You can quickly change the preconcave segments through the stone trap simply by pulling the threshing concave segment out to the side. The numerous combination options are the key to the unique MULTICROP capability of the LEXION.

A LEXION makes the most of your crop.

Every grain counts.

The even flow of the straw onto the open-bottomed straw walkers combined with an extreme gradient angle ensures that practically all the residual grain is separated from the straw. This process is unaffected by the difficulty of the harvesting conditions or whether you are threshing wet or dry straw.



- 1 Separator drum
- 2 Pre-separation concave
- 3 Returns pan
- 4 Open straw walkers

Model series	Secondary separation	Separator concave area	Straw walker length	Straw walker area
LEXION 6000	6-walker and separator drum	1.16 m ²	3,800 mm	6.46 m ²
LEXION 5000	5-walker and separator drum	0.97 m ²	3,800 mm	5.4 m ²

Additional separator drum.

Synchronised with the other drums, an additional separator drum with a diameter of 600 mm gets every last grain out of the straw.

- High-performance separation with top-quality straw
- Low mechanical load on the straw as a result of the limited contact angle

Adjustable separator concave.

A manual facility allows the separator concave of the LEXION to be adjusted quickly to changing crop types. You harvest grains and rapeseed with the separator concave in the closed position and maize in the open position. Once the separator concave has been set to the crop type manually, subsequent adjustment during harvesting is performed hydraulically, is infinitely variable and takes place in parallel with the other concaves.

Large straw walker area.

The secondary separation via the straw walkers is accomplished over a total length of 3,800 mm across four straw walker steps. Even large volumes of straw are transported rapidly and loosely.

- Large separation area for precise secondary separation
- Centre and side risers to fluff material
- Maintenance-free, robust straw walker bearings

New features that optimise your secondary separation:

- An additional separator drum with a diameter of 600 mm makes for even more efficient secondary separation
- The separator concave can also be set in two positions
- Together, all these features increase the separation performance, even under difficult harvesting conditions

Clean grain is worth real money.

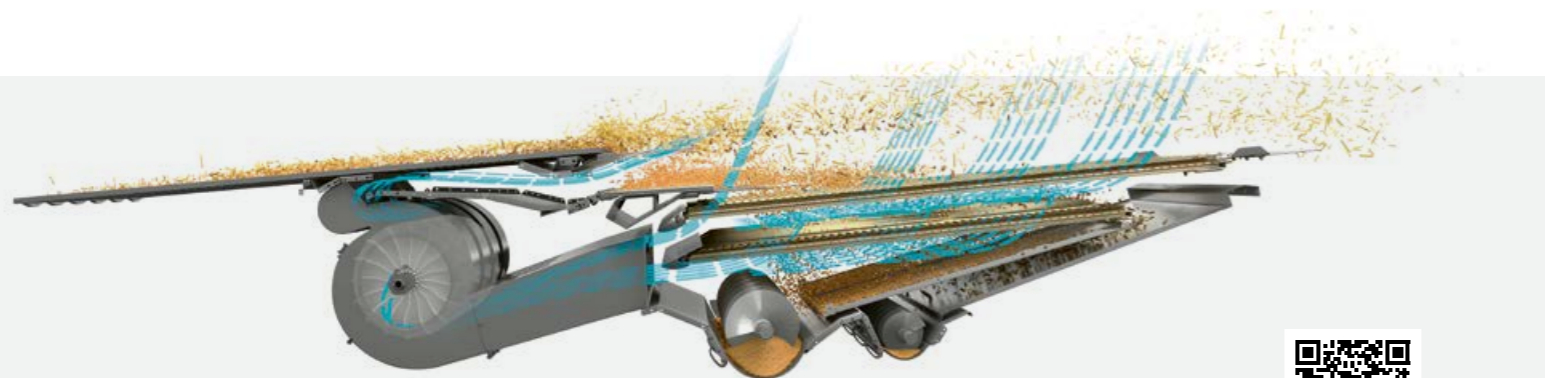
JET STREAM cleans more intensively.

With the JET STREAM cleaning system, a dual-ventilated straw walker step provides intensive pre-cleaning.

- High standard of cleaning through extremely powerful cleaning system
- High performance from a compact system with a low level of sieve loading

In addition to larger sieve areas and a bigger grain auger, there are three key differences compared with the standard cleaning system:

- A 56% higher first step
- A long airflow equalisation duct with the airflow oriented upwards
- An additional turbine fan unit



JET STREAM is now standard
in all LEXION models.



The 3D cleaning system makes a difference on slopes.

Using active transverse control of the upper sieve, the 3D cleaning system provides dynamic compensation for side slopes of up to 20%. The material is distributed evenly across the sieves, the cleaning performance remains absolutely stable. In combination with AUTO CONTOUR, this maintenance-free system forms an ideal hillside package.

The GRAINMETER analyses the returns.

Using two sensors at the end of the lower sieve, the GRAINMETER registers the grains in the returns. Measurement of the returns by means of the photo cell makes it possible to calculate the proportion of grains to the total volume in the returns. The sensitivity is set in CEBIS where you can also read off the data conveniently and optimise the combine settings, if necessary.

The sieves are electrically adjustable.

The upper and lower sieves with their large sieve areas move counterdirectionally for high-performance cleaning. In addition, special sieve webs and rounded louvres direct the airflow. Both sieves can be adjusted electrically via CEBIS. This means that you can react quickly to changing harvesting conditions without having to leave the cab.

The preparation floor reduces the load on the upper sieve.

The crop is pre-sorted into grains (bottom) and chaff and broken straw (top) on the preparation floor, thereby reducing the load on the upper sieve and increasing the cleaning capacity. The individual plastic elements can be easily pulled out towards the front through the stone trap for cleaning.

The returns flow evenly into the threshing unit.

The returns are deposited on the accelerator drum, spread out and fed evenly to the threshing drum. At 15 l/s, the feed rate of the returns is a perfect match for the increased throughput of the new LEXION.

The returns volume is measured electronically.

A photo cell on the returns elevator measures the entire volume of material and reduces the operator's workload by means of the continuous display of the returns figure in CEBIS.

The operator monitors the returns from their seat.

The cab is designed in such a way that the operator can look straight into the illuminated returns section from their seat and so draw conclusions about the optimal machine settings..

Collect your grain quickly and safely.

Up to 13,500 l of grain in the tank.

With a volume of up to 13,500 litres, the grain tank has a capacity to match the increased throughput of the LEXION. Buttons on the armrest control the automatic opening and closing of the grain tank. Additional steps and handrails make access even safer.

Grain elevator with 59 l/s.

In view of the high throughput, the feed rate of the grain elevator has been increased to 59 l/s. The integrated moisture meter takes samples straight from the elevator and returns them once the measurement has been performed.

Precise yield measurement.

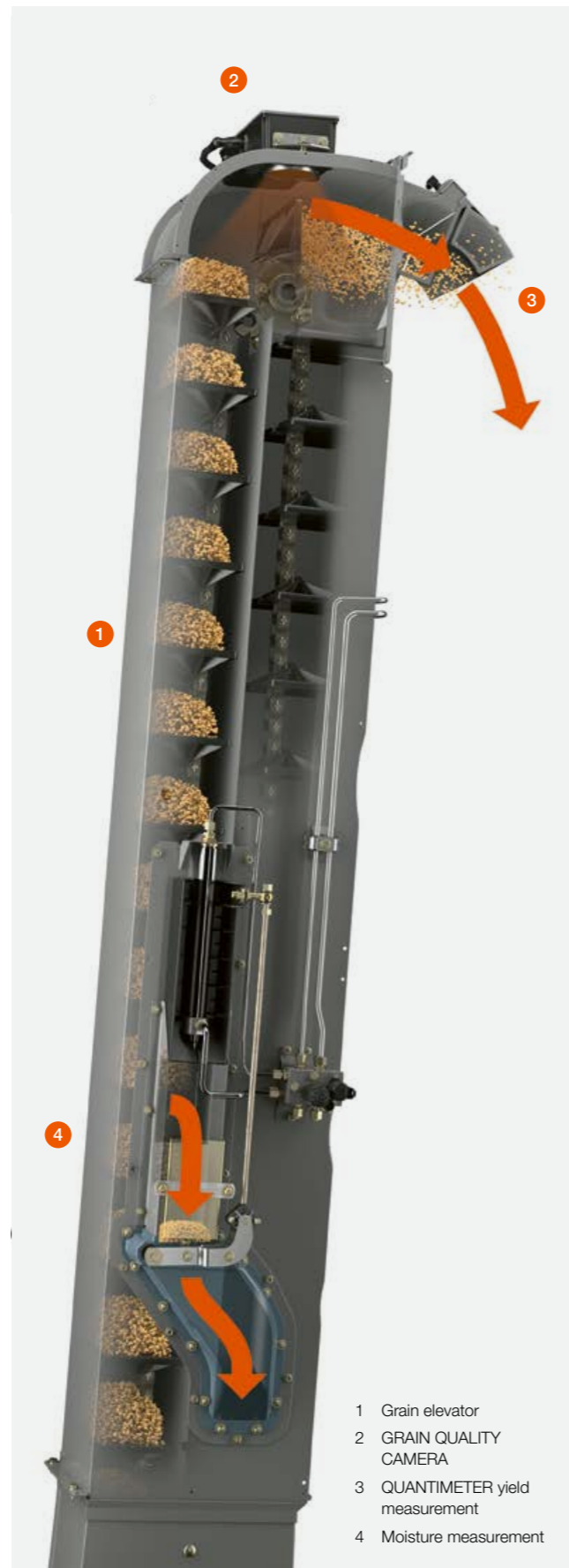
The new measuring principle used by the QUANTIMETER no longer requires the hectolitre weight for calibration. It determines the yield quickly and precisely by means of a baffle plate with an integrated measuring cell at the ejection point of the grain elevator. This system can be calibrated from the cab.

Fast crop inspection.

The port for manual inspection of the crop is situated in the cab access area. Even when the content of the grain tank is low, there is sufficient crop available here to allow you to take the first samples as soon as you start threshing.

Precise GRAIN QUALITY CAMERA.

The GRAIN QUALITY CAMERA provides real-time pictures of the crop. As the software identifies non-grain constituents and broken grains, you can use CEBIS to monitor the grain quality and assess it digitally at any time.



- 1 Grain elevator
- 2 GRAIN QUALITY CAMERA
- 3 QUANTIMETER yield measurement
- 4 Moisture measurement



A simple explanation of the new QUANTIMETER measuring principle.



12,500 l to 13,500 l



11,000 l



9,000 l to 10,000 l

Grain tank unloading tube with 105° pivot angle.

In order to improve your view of the grain tank unloading tube, the pivot angle has been increased from 101° to 105°. You can select the length of the tube in accordance with the width of the front attachment. The diameter depends on the desired unloading rate:

- 420 mm at 180 l/s
- 330 mm at 80 to 130 l/s

Grain tank unloading at up to 180 l/s.

At 180 l/s you can unload the large grain tank of the LEXION in record time. The rate can be reduced from 180 l/s to 90 l/s in CEBIS. If necessary, you can stop the process immediately or turn off the augers gradually in order to completely empty the grain tank unloading tube first.

- Reliable filling of the transport vehicles
- No losses during unloading



180 l/s unloading drive system

New features that make grain collection easier:

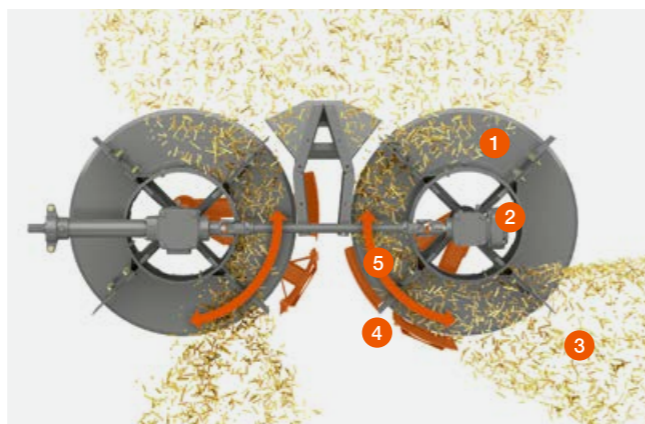
- Grain tank volume of up to 13,500 l enables extended harvesting runs
- Unloading rates of up to 180 l/s reduce the time taken to empty the tank
- Access to the grain tank is convenient and safe
- 105° pivot angle improves the view of the grain tank unloading tube
- The effort required to calibrate the QUANTIMETER has been reduced significantly; calibration is possible without leaving the cab



In 75 seconds from 13,500 litres to 0.



Its straw management is excellent.



Top quality straw chopping.

Use CEMOS AUTO CHOPPING to improve the quality of the chopped straw. Awarded the DLG Silver Medal in 2019, this system continuously determines the straw moisture content and quantity and automatically adjusts the static knife and friction concave plate positions in the straw chopper to the current condition of the straw. This can save up to 10% on diesel use.

Three versions of straw chopper drive.

In addition to straw chopper drives with a manually adjustable chopper speed, there is also a version with hydraulic speed adjustment which can be controlled conveniently from the operator's seat. This option comes into its own when you have to work frequently in changing crop types. During swathing, a neutral setting saves fuel and reduces wear.

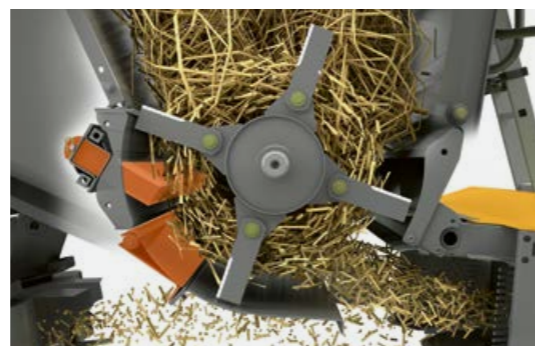
Convenient spreader plate adjustment.

The extended straw chopping floor accelerates the chopped material and improves its spreading characteristics significantly. The new spreader plates are designed for a greater spreading distance. You can set the spreader plate angle, spreading width and direction conveniently in CEBIS. The impressive interplay of all these components delivers outstanding distribution of chopped material up to and including a cutterbar width of 7.7 m.

Precise power spreader.

The power spreader from CLAAS is synonymous with precise straw spreading – even with high volumes of straw, strong crosswinds or sloping terrain. Comprising two discharge rotors turning in opposite directions at a constant speed, it takes both the chopped material and the chaff straight from the cleaning section, accelerates it further and spreads it evenly across the entire working width.

- 1 Spreading tube
- 2 Paddle
- 3 Material flow
- 4 Outer deflector
- 5 Inner deflector



Static knife and pivoting bottom element in the SPECIAL CUT chopper



Automatic discharge direction adjustment.

You can equip your LEXION with two sensors which automatically adjust the discharge direction of the chopped material to the terrain conditions. The sensors are fitted on the light brackets at the rear of the machine and ensure that the power spreader and deflector spread the chopped material evenly on slopes or in the event of crosswind. You set the sensitivity of this system in CEBIS.

Targeted chaff spreading.

During swathing, the chaff blower automatically turns outwards. Swaths of long straw and chaff/broken straw mixture are laid separately. For straw spreading, however, the chaff blower forces the sieve pan discharge straight into the power spreader for active distribution. Long straw, chaff and short straw are spread across the entire working width.

Technology that makes your straw management efficient:

- SPECIAL CUT with up to 88 knives
- Hydraulic or mechanical adjustment of the static knife array to three positions

- Switchover to swathing from the cab
- Power spreader for efficient straw spreading with minimal use of power

Every revolution needs power.
CLAAS POWER SYSTEMS.



CPS

CLAAS
POWER
SYSTEMS

Our drive system: optimal components interacting optimally.

A CLAAS machine is much more than the sum of its individual parts. Top performance is only possible when all the parts are ideally matched and work together optimally. The name CLAAS POWER SYSTEMS (CPS) stands for a combination of the best components which we have brought together to create an intelligent drive system.

Full engine output only when it is required. Drives that are suited to the way the machines are used. Fuel-saving technology which quickly pays off.

DYNAMIC POWER – the intelligent way to put power down.

More intelligence for the engine.

DYNAMIC POWER automatically adjusts the engine output of your LEXION to the operating conditions. This means that you are always running with the most efficient power curve when operating under partial load and can save – during swathing, for example – up to 10% of fuel. At full load when the grain tank is being unloaded and the straw chopper is engaged, for example, maximum engine output is automatically maintained.

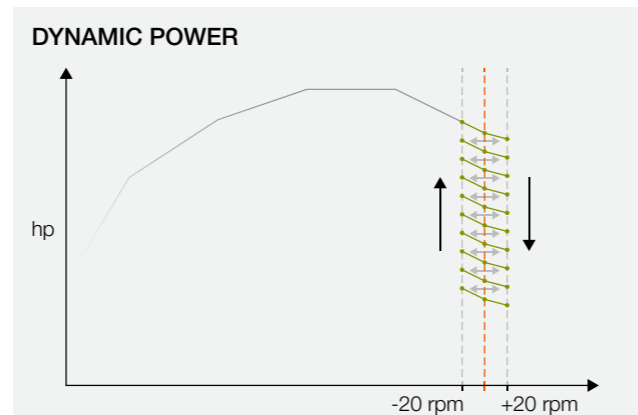
Lower revs on the road.

On the road, the LEXION makes do with just 1,600 rpm. This technology makes it possible for you to save significantly more fuel while running at a reduced noise level and with a high level of driving comfort.



New features that help you save fuel:

- DYNAMIC POWER adjusts the engine output to the current power requirement
- Fuel savings of up to 10% are possible
- The engine speed is reduced to 1,600 rpm during road travel
- This significantly reduces the noise level and diesel consumption



Intelligent power.

DYNAMIC POWER uses a variety of power curves on the basis of the engine load. The parameter which triggers the power adjustment is the reduction or increase in the engine speed resulting from a change in the power requirement.



MAN D 26 with 373 kW / 507 hp.

- Six-cylinder in-line layout with 12.4 l displacement
- Reduced rated engine speed of 1,800 rpm
- Emission standard Stage V with EGR, DOC / DPF, SCR technology



Mercedes-Benz OM 470 with 300 kW / 408 hp.

- Six-cylinder in-line layout with 10.7 l displacement
- Reduced rated engine speed of 1,800 rpm
- Stage V emission standard with SCR and EGR technology

DYNAMIC COOLING – the smart solution.



DYNAMIC COOLING in every LEXION.

A technology which was until now exclusive to the largest machines is now standard in every LEXION: the variable fan drive which adjusts its speed automatically and, above all, as required. Whatever the outside temperature, DYNAMIC COOLING is able to cope easily. The system not only delivers reliable cooling, but also uses a curtain-effect air flow to reduce the extent to which dust is able to rise. DYNAMIC COOLING requires 20 kW less engine output, thereby helping you to save fuel.

What makes DYNAMIC COOLING so unique:

- Variable fan drive provides cooling when required
- Provides effective and reliable cooling
- Uses full fan speed only under full load
- Minimises extent to which dust is able to rise
- Reduces soiling of the radiator and engine compartment
- With grain tank unloading tube extended, automatically increases speed to actively blow dust away from engine compartment
- Extends the air filter maintenance intervals

Cooling and cleaning in one.

Drawn in vertically at the top, the fresh air passes through a rotating sieve with a diameter of 1.60 m. It is then vented through the engine compartment and over side cooling fins. This ideal air flow prevents almost all dust from rising and so effectively functions as a permanent cleaning system.

Large cooling package for sufficient reserves of cooling capacity.

- 1 Radiator
- 2 Oil cooler
- 3 Intercooler
- 4 Condenser
- 5 Fuel cooler



Smart drive concepts that pay off.



Hydrostatic ground drive up to 40 km/h.

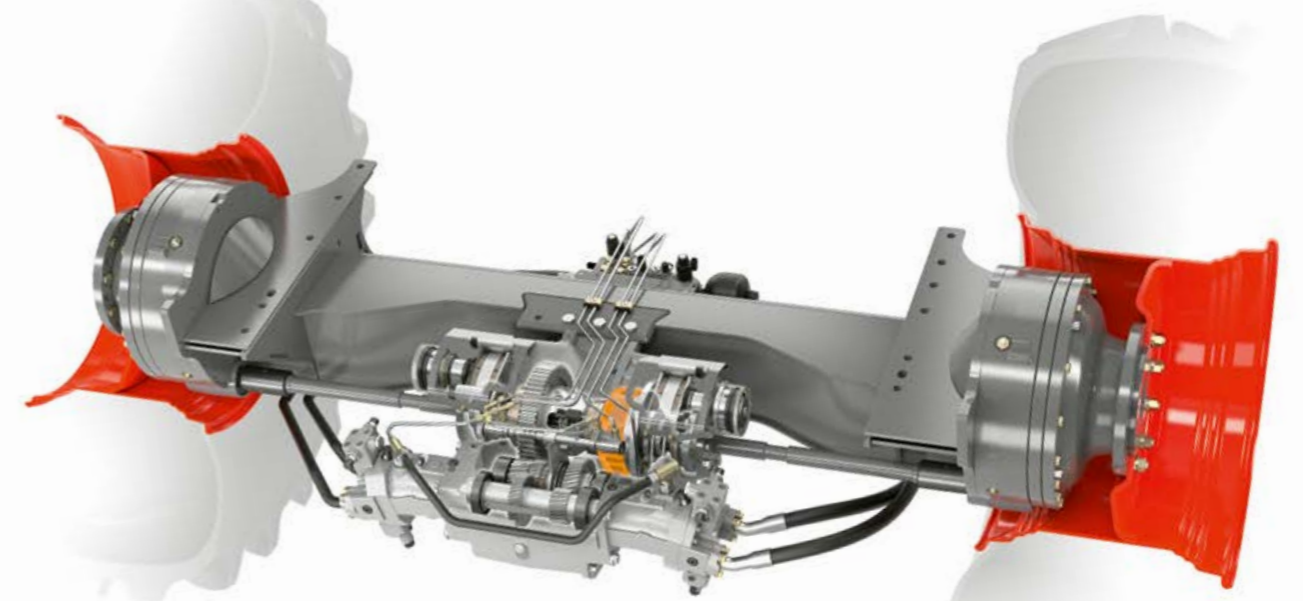
All LEXION models are equipped with a 2-speed hydrostatic ground drive with convenient gear selection via the buttons on the armrest. The high efficiency of the hydrostatic motor saves power which is available to the rest of the machine. Both the wheeled machines and the TERRA TRAC models can travel at up to 40 km/h.

Automatic parking brake for your safety.

If you run for more than one second at less than 1 km/h, change gear, switch the engine off or get out of the seat, the LEXION automatically activates the parking brake. This increases both driving comfort when making frequent stops and your safety when you leave the cab. The brake is released again as soon as you operate the ground speed control lever.

40

40 km/h top speed for all wheeled machines¹ and TERRA TRAC models



Differential lock for improved traction.

The electrohydraulically operated differential lock, which is activated simply by means of a pushbutton in the centre console, ensures that you can continue to operate safely and reliably in extreme conditions. The high traction and pulling power of the LEXION are maintained on slopes and in the wet. You can also engage the differential lock under load.

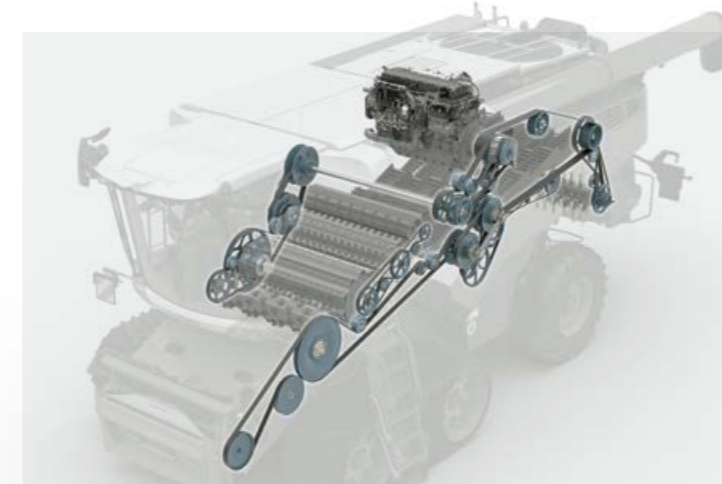
Automatic function for more comfort.

The differential lock automatic engagement and disengagement function makes working with the LEXION particularly comfortable and safe.

- Automatic engagement when ground speed is less than 10 km/h, steering angle less than 15° or slip occurs
- Automatic disengagement when ground speed is over 10 km/h, steering angle over 15° or braking occurs

Tyres for high level of soil protection.

Tyres with a diameter of up to 2.15 m on the front axle and 1.65 m on the rear are gentle on the soil. Developed in an intensive joint effort with renowned manufacturers, the tyres are designed for the increased loads associated with the greater grain tank volumes and wider front attachments of the new LEXION. Featuring a significantly increased contact area, they are able to provide more traction, less slippage and reduced fuel consumption.



A drive concept that has what it takes:

- Hydraulically actuated dry clutch
- Hydraulically tensioned main belts
- Standardised belt tensioners
- As many as two belts and two chains less
- Improved power transmission
- Lower maintenance costs

The soil is your greatest asset.



TERRA TRAC for every requirement.



TERRA TRAC 635 mm



TERRA TRAC 735 mm



TERRA TRAC 890 mm



TERRA TRAC 890 mm
spoke design



TERRA TRAC 890 mm rice

Third-generation crawler unit.

The soil is the most important basis for production available to you. As it is impossible to create more of it, you need to be able to obtain ever greater yields from the existing land. The key to this is more productive machines which, thanks to TERRA TRAC, are extremely gentle on the soil.

The third generation of TERRA TRAC crawler tracks impresses with the large diameter of the land wheels, hydropneumatic suspension, improved track tensioning and automatic level compensation from 2 km/h. The TERRA TRAC system increases traction drastically and leaves hardly any trail behind it when operating in the wet, on soft ground or on side slopes. This makes the work of the transport vehicles considerably easier.

TERRA TRAC on the road.

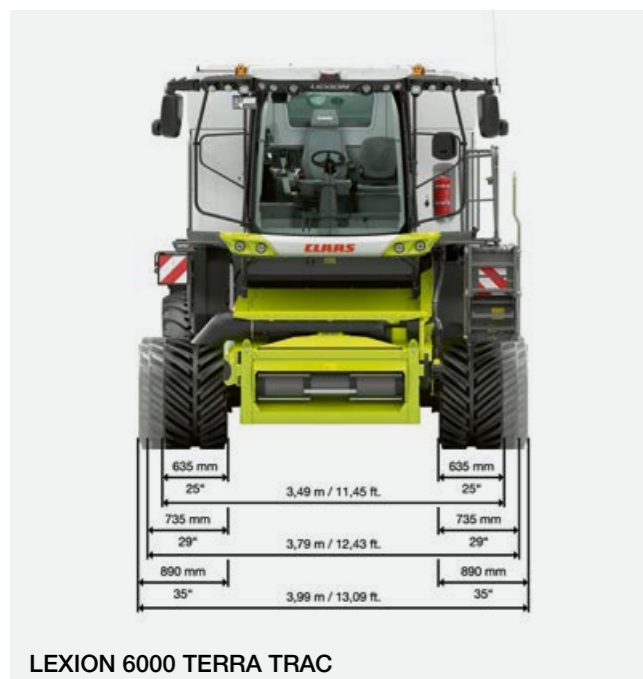
- 40 km/h top speed possible
- Fully suited to road travel at 20, 25, 30 and 40 km/h
- High driving safety and directional stability
- More driving comfort compared with a wheeled machine

TERRA TRAC in the field.

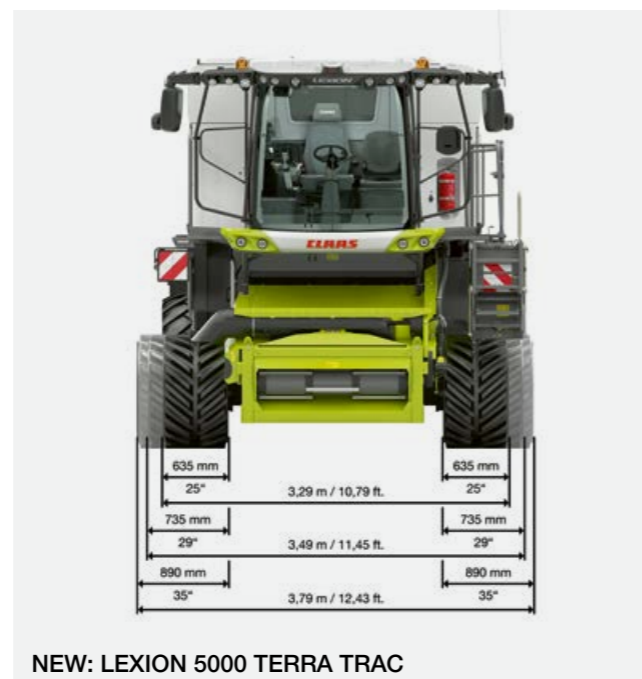
- Up to 66% less ground pressure than wheeled machines
- Better traction in maize, in the wet and on slopes
- Less slip and greater stability on side slopes
- Lower drive resistance and fuel consumption

TERRA TRAC in rice.

- Special rice track, 890 mm wide
- Greater spacing of tread lugs for self-cleaning
- High traction and load-bearing capacity
- Will not sink in when operating in wet field conditions



LEXION 6000 TERRA TRAC

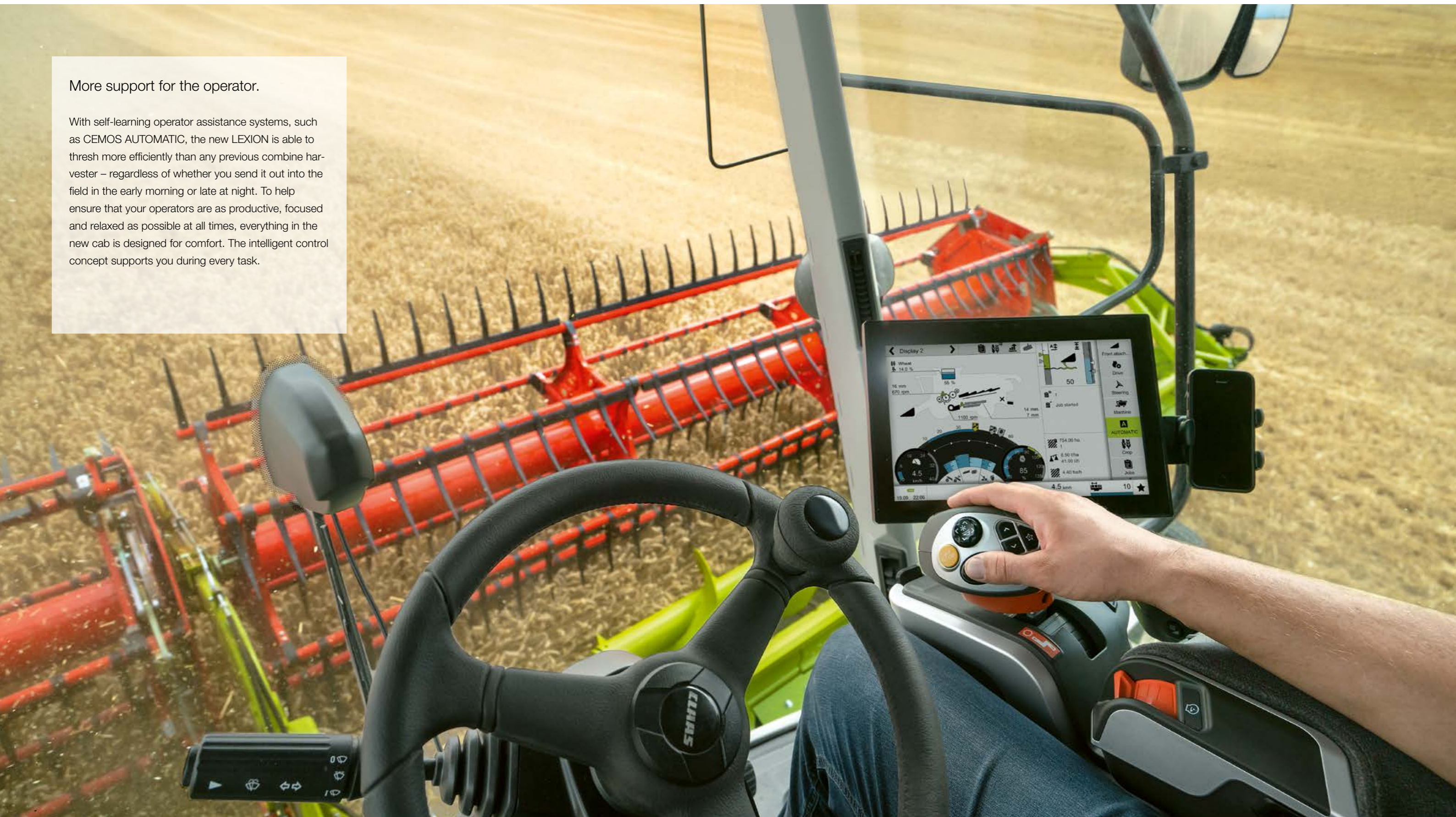


NEW: LEXION 5000 TERRA TRAC

Productivity calls for comfort.

More support for the operator.

With self-learning operator assistance systems, such as CEMOS AUTOMATIC, the new LEXION is able to thresh more efficiently than any previous combine harvester – regardless of whether you send it out into the field in the early morning or late at night. To help ensure that your operators are as productive, focused and relaxed as possible at all times, everything in the new cab is designed for comfort. The intelligent control concept supports you during every task.



We give operators what they want.



Turn night into day.

LED light packages provide reliable illumination for the entire work area and key machine components.

- Stubble lights
- Main and dipped beam
- Marker lights
- Direction indicators
- Front area illumination
- Front attachment illumination
- Sidefinder
- Grain tank unloading tube
- Rear spotlights
- Side panels
- Returns, sieve pan, grain tank
- Steering axle
- Engine compartment
- Tool box
- Access lighting
- Tank filler lighting

Make the most of the new LEXION comfort.

More shoulder room in the cab, a new CEBIS terminal with touchscreen and an armrest, in which the switches for direct adjustment of the most important functions are integrated – these are just some of the many new features with which the LEXION makes the task of harvesting easier.

Cab equipment.

- | | |
|--|---|
| <ol style="list-style-type: none"> 1 NEW: Adjustable, narrower steering column 2 NEW: CEBIS with touchscreen 3 NEW: More interfaces and connection options 4 CMOTION multi function lever 5 NEW: Armrest providing direct adjustment of the most important functions 6 Adjustable comfort operator's seat 7 Comfortable instructor's seat | <ol style="list-style-type: none"> 8 NEW: Cool box with active cooling 9 Bright internal cab lighting 10 A/C MATIC automatic climate control 11 Front and side sunblinds 12 NEW: Washer and wiper system for the side windows 13 Printer for CEBIS 14 Large grain tank inspection window |
|--|---|

Trust your intuition.



Reliable operation, three ways.

Every operator has their own particular preferences when it comes to using the machine's performance capacity to the full. This is why you can adjust the settings of the LEXION in three ways, one being the CEBIS touchscreen which is as easy to use as your smartphone.

- 1 Via the CEBIS touch function
- 2 Via the CEBIS rotary push switch
- 3 Via switches for direct adjustment



5 direct adjustment switches.

The operator can adjust the most important functions directly by means of switches identified by self-explanatory symbols. At the same time, a large dialogue box opens in CEBIS to show the changes made.

- 1 Threshing drum speed
- 2 Threshing concave distance
- 3 Fan speed
- 4 Upper sieve opening
- 5 Lower sieve opening



13 functions at your fingertips.

The CMOTION multifunction lever has been specially developed for the ergonomics of the right hand. The three-finger control concept allows several functions to be controlled intuitively without repositioning one's hand.

- 1 Ground speed / direction of travel
- 2 Front attachment: cutting height / ground pressure
- 3 Front attachment: pre-set cutting height
- 4 Front attachment: manual raising and lowering
- 5 Reel setting for cutterbars
- 6 Front attachment: stop
- 7 Favourites selection up
- 8 Favourites selection down
- 9 Open favourites management
- 10 Activate steering system
- 11 Grain tank unloading on / off
- 12 Grain tank unloading tube pivot out / in
- 13 Menu-dependent rocker switch / modification of values in favourites management



The multifunction lever is the more compact alternative to CMOTION



Discover how easy it is to control the new LEXION.

CEBIS operates intuitively.

Operation is intuitive and possible without previous knowledge. This means that even new operators are able to use the LEXION in a short time. CEBIS plays a decisive role in this. The system is an information supplier, performance optimiser and problem solver all rolled into one.

CEBIS offers immediate assistance.

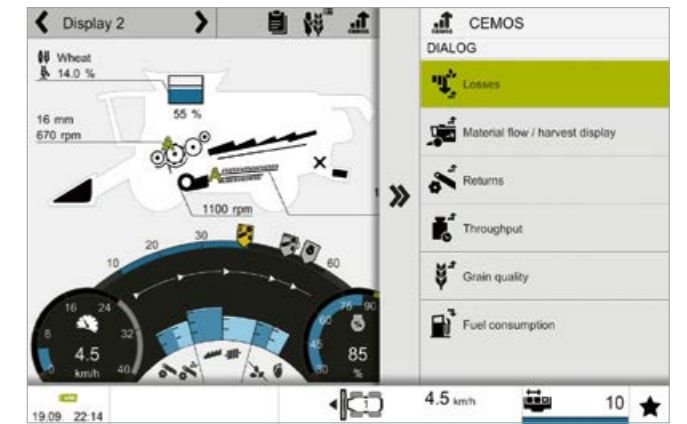
Stored in CEBIS is a library of measures – based on the experience of countless CLAAS combine harvester operators – for resolving various problem scenarios. They consider all the parameters which could contribute to solving the problem. They therefore represent a comprehensive resource which supports you in making full use of the installed capacity of the machine.

CEBIS simplifies the menu.

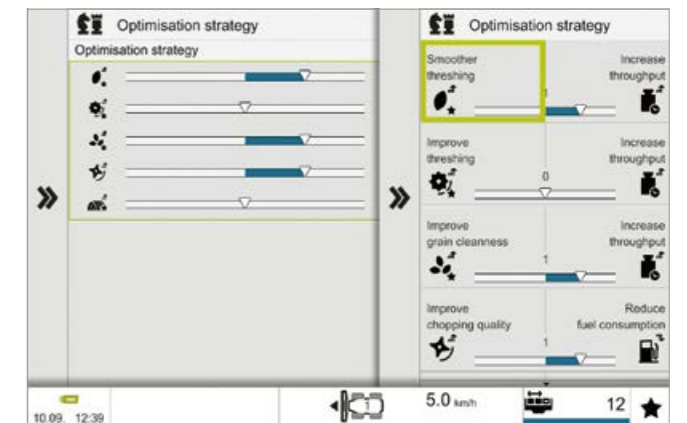
Beginner, normal or expert: you define your user type and CEBIS adjusts the menu system to your level of experience. This ensures that new operators are not overwhelmed by complex menus. The operator assistance system is also integrated in CEBIS. You operate CEMOS DIALOG and CEMOS AUTOMATIC via the user-friendly touchscreen. Using a slider, you program the system's automatic functions with the strategies you wish them to follow.



Road travel, field work and CEMOS AUTOMATIC: three CEBIS interfaces offer you direct access to all settings.



CEMOS DIALOG integrated in CEBIS



Intelligent control by CEMOS AUTOMATIC via CEBIS

1 CEBIS touchscreen

CEBIS responds immediately to a tap on the touchscreen. You have direct access to the field work and road travel machine functions as well as to all the operator assistance modules, such as CEMOS AUTOMATIC.

2 CEBIS rotary push switch

Even when operating in bumpy terrain in the field, you can easily navigate the CEBIS control panel using rotary/push switches and the Escape and Favourites buttons – to adjust the threshing drum speed, for example.

3 Direct adjustment via switches

You operate predefined basic functions directly by means of assigned switches. In this way, you can adjust the sieve opening or the fan speed, for example.

4 CMOTION favourites management

Seven settings can be programmed as favourites in CEBIS. When working, you can call these up conveniently via rocker switches on the CMOTION ground speed control lever. Your hand intuitively actuates the relevant switches while you keep a close eye on the front attachment.

User-friendly design that supports the operator and reduces stress.

- Depending on your preference, settings can be adjusted in three ways in the LEXION: via the CEBIS touchscreen, the CEBIS rotary push switch or the direct-adjustment switches.
- Operating the direct adjustment system causes a dialogue box to open in CEBIS.
- A numeric keypad helps you enter precise target values.
- All parameters can be modified easily by means of dial and slide controllers in CEBIS.
- All the functions of the CEMOS AUTOMATIC operator assistance system, as well as CEMOS DIALOG, are integrated in CEBIS.
- You can call up your seven favourites directly on the CMOTION ground speed control lever.

CEMOS operators are unbeatable.

CEMOS AUTOMATIC sets things up for you.

The CEMOS AUTOMATIC self-learning operator assistance system provides the operator with continuous, active support throughout the entire work process. On the basis of agricultural economics parameters, such as grain quality, threshing quality, standard of cleaning, straw quality and throughput, the system checks sensors and settings, optimising the LEXION to its technical performance limits while it is running.

The operator decides.

It is up to you to decide if you are happy with the degree of optimisation and wish to accept the fine adjustments suggested. CEMOS AUTOMATIC can be overridden manually at any time but can also be reactivated via the multifunction lever.

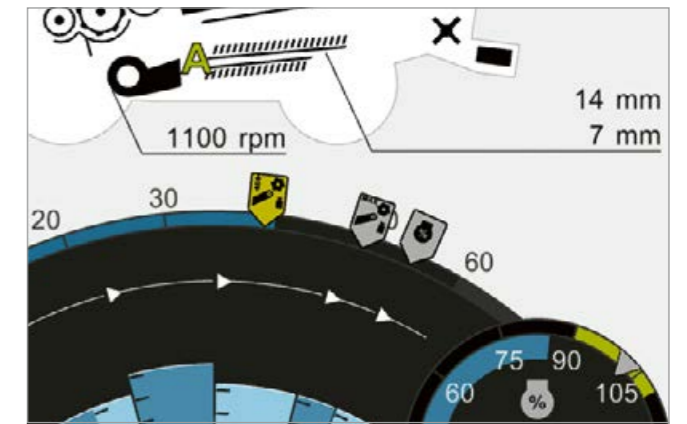
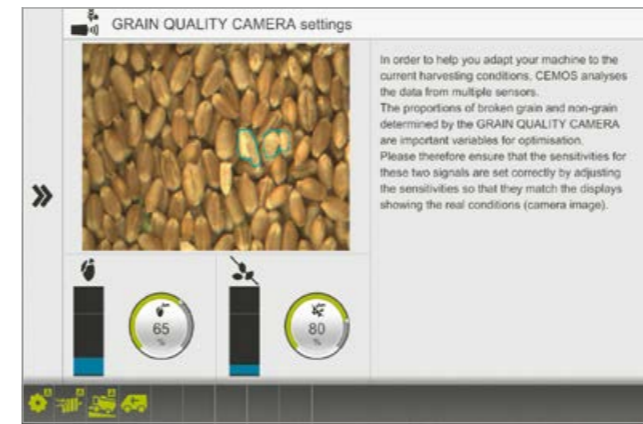
Harvesting at the limit.

CEMOS AUTOMATIC autonomously determines the best setting for every field.

- Your operators' workload is reduced significantly
- They achieve more throughput and an excellent standard of grain cleaning
- The fuel efficiency of your machine is improved
- You have no outages as a result of incorrect settings
- You reduce costs and effort effectively



Experience system intelligence in action.



CEMOS AUTO THRESHING.

The system provides fully automatic adjustment of the threshing concave clearance and the threshing drum speed as well as the position of the pivoting concave bar and the threshing concave flap. In the background, it continuously tests various measures to optimise performance using the data from the

- GRAIN QUALITY CAMERA
- GRAINMETER
- QUANTIMETER
- CRUISE PILOT sensor
- Throughput monitoring, secondary separation, cleaning

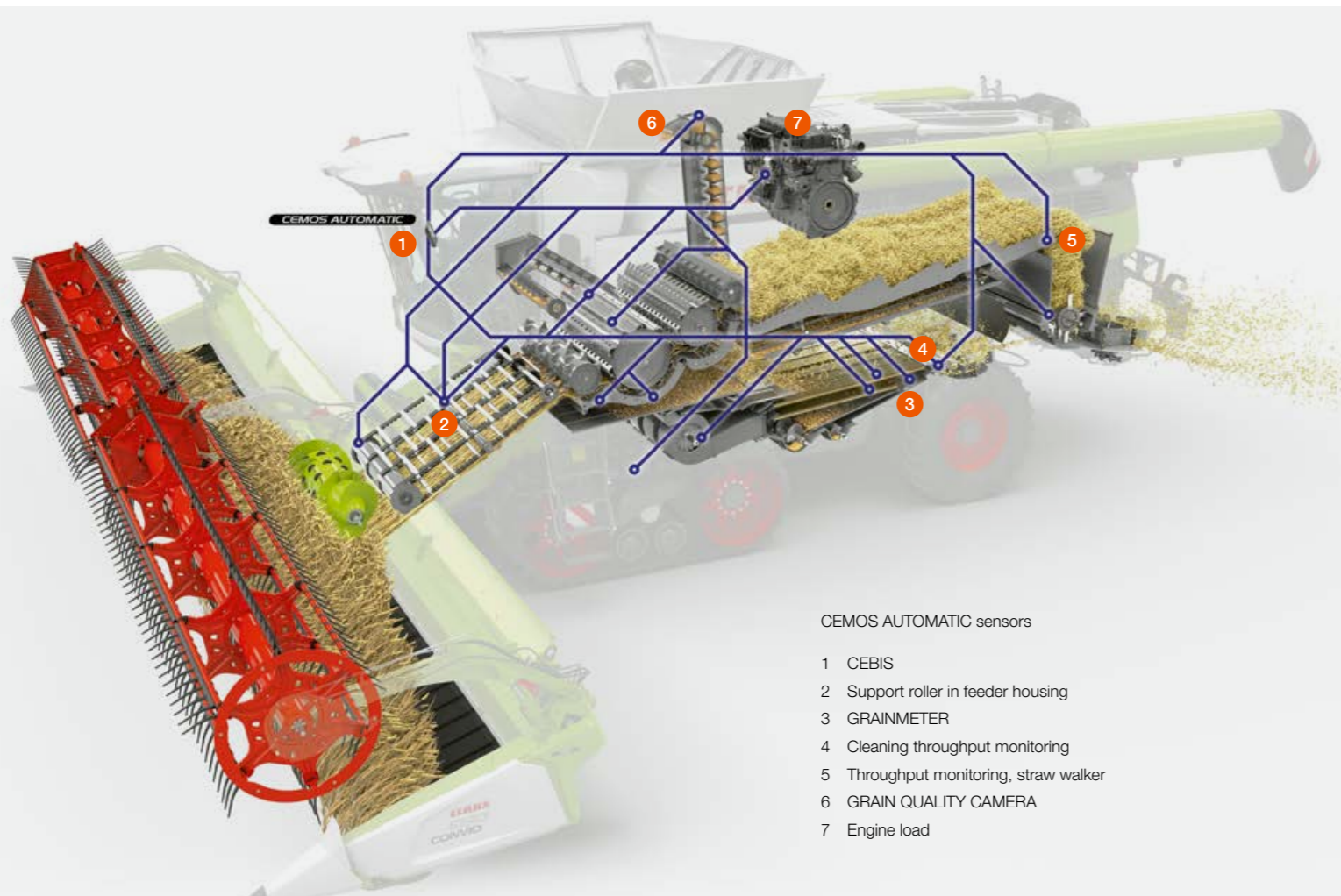
CEMOS AUTO CLEANING.

The fan speed and the upper and lower sieve opening are the parameters by which CEMOS AUTO CLEANING regulates the grain cleaning.

CEMOS performance analysis.

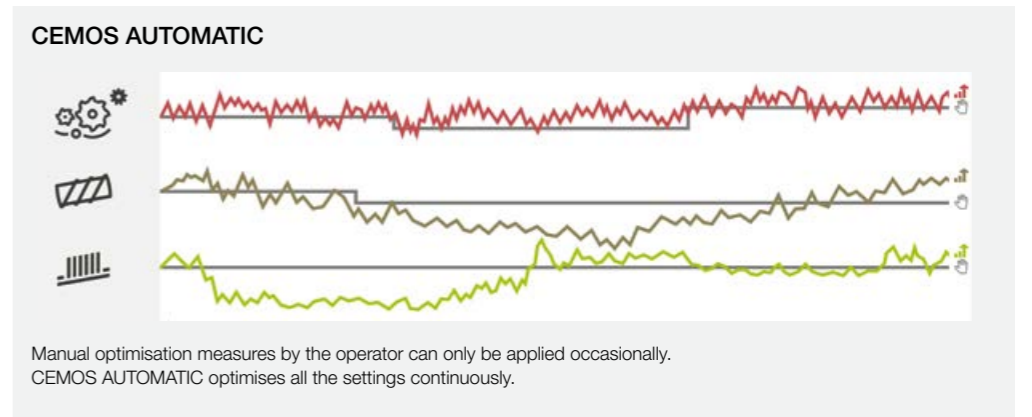
The LEXION always keeps you informed about the scope for performance optimisation – and it is able to manage this with far greater precision than an operator could ever do manually. The most significant factors limiting throughput are displayed permanently:

- Maximum engine load
- Maximum crop volume in feeder housing
- Threshing unit load
- Separation losses
- Cleaning losses
- Returns volume limit



CEMOS AUTOMATIC sensors

- 1 CEBIS
- 2 Support roller in feeder housing
- 3 GRAINMETER
- 4 Cleaning throughput monitoring
- 5 Throughput monitoring, straw walker
- 6 GRAIN QUALITY CAMERA
- 7 Engine load



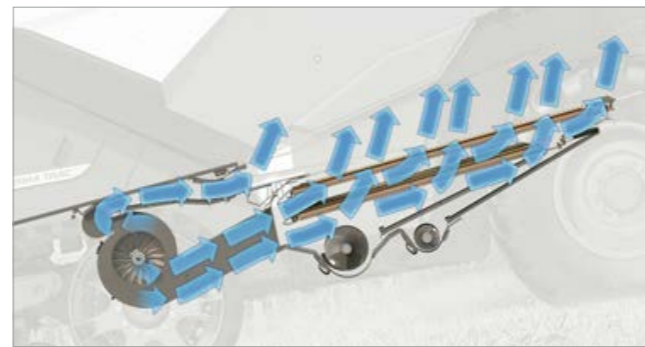
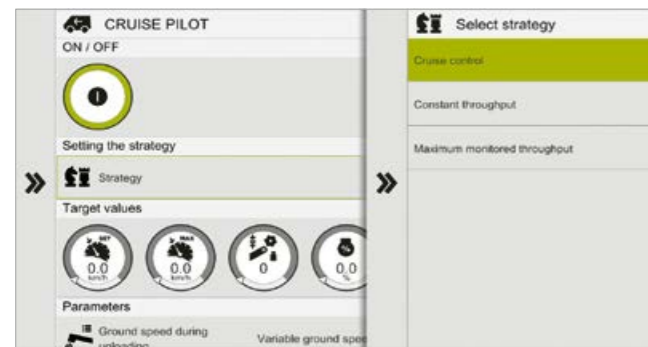
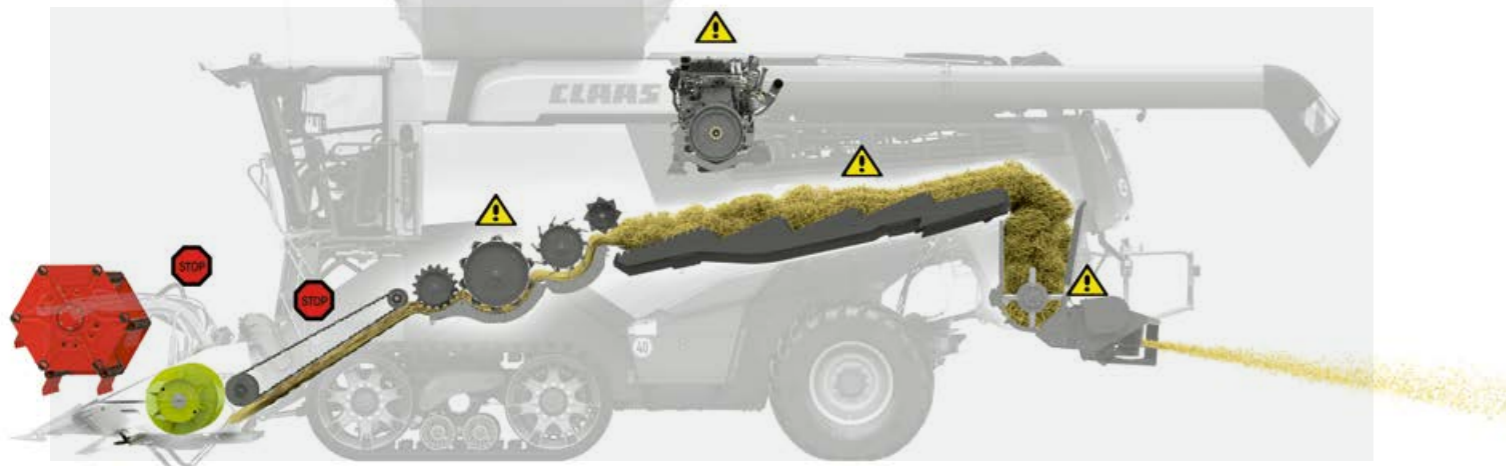
Manual optimisation measures by the operator can only be applied occasionally. CEMOS AUTOMATIC optimises all the settings continuously.

Assistance systems don't get tired.

AUTO CROP FLOW recognises peak loads.

CLAAS operator assistance systems were developed to make your operators safer, to make your harvesting run more smoothly and to reduce your costs. AUTO CROP FLOW continuously monitors the respective speeds of the APS SYNFLOW threshing unit, the secondary separation section and the engine.

If the preset slip limit is overshoot, the system automatically takes measures to prevent any more material from entering the machine. In this way, downtime because of blockages or damage is avoided and components are not overloaded.



CRUISE PILOT controls the speed.

The optimal harvesting speed increases your productivity. CRUISE PILOT controls it automatically on the basis of the engine load. It is possible to choose from three strategies:

- Cruise control: harvest at a constant speed
- Performance: harvest with maximum throughput
- Throughput: harvest with maximum throughput with consideration of losses

AUTO SLOPE manages cleaning on slopes.

Hilly fields are a challenge for the grain cleaning system. Uphill, the fan speed has to be reduced, downhill it has to be increased. AUTO SLOPE controls the fan speed and the sieve opening on the basis of the longitudinal tilt.

- More throughput and lower grain losses on slopes
- The cleaning performance always remains stable
- The crop flow in the cleaning system is maintained
- The operator's workload in undulating terrain is reduced



Together with the operator, CEMOS DIALOG develops the optimal machine setup for every harvesting situation.



The free CEMOS Advisor smartphone app is a valuable adjustment aid for the operator. It comes with an integrated lost grain calculation function.

CEMOS DIALOG motivates the operator.

The CEMOS DIALOG assistance system guides the operator to the optimal machine setup. Settings confirmed by the operator are implemented directly by CEMOS DIALOG.

- Operators are motivated to check settings more frequently and to optimise them
- They are more confident about adjusting settings
- Even experienced operators benefit from the learning effect

The future is connected.

Connected machines are more productive.

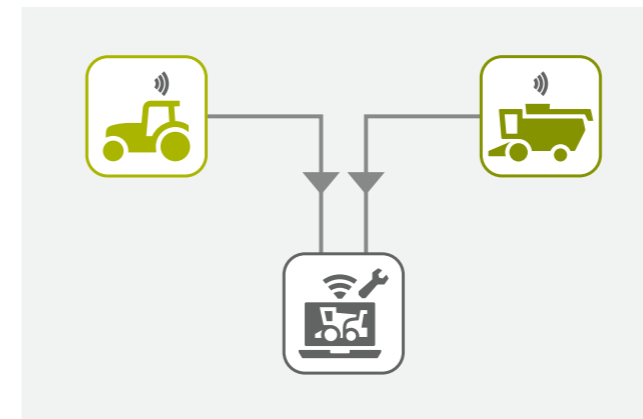
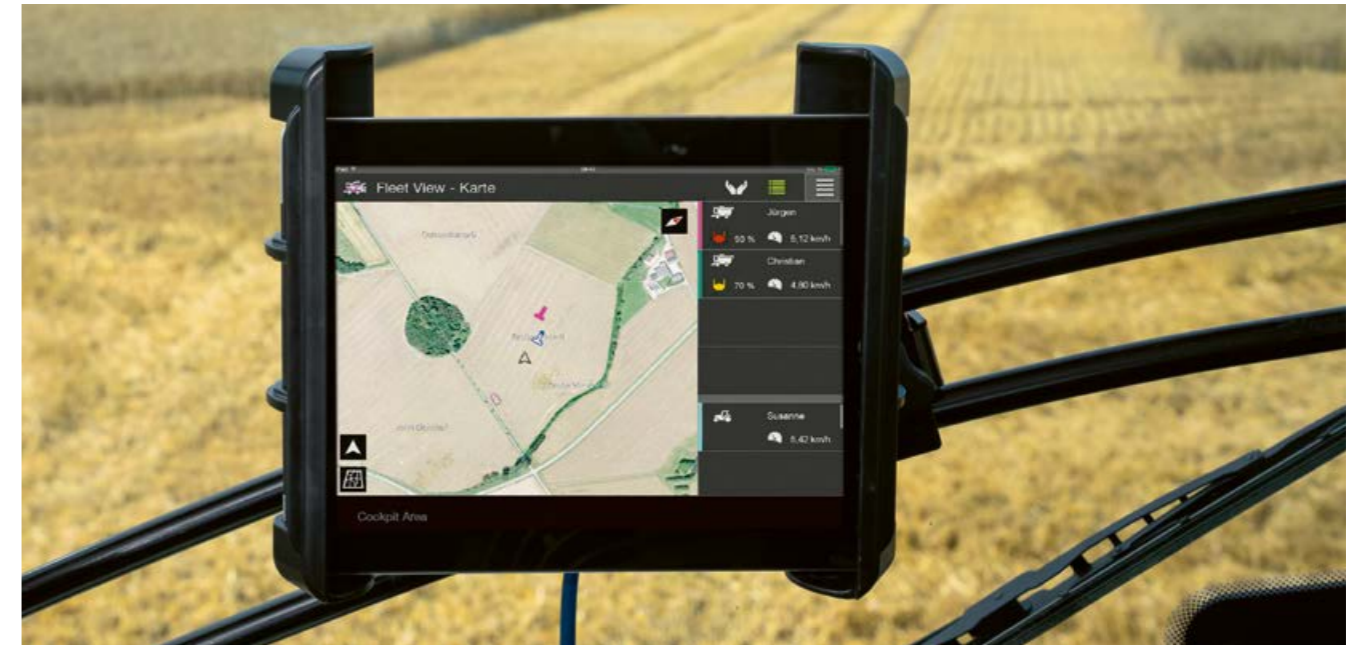
Artificial intelligence is a key factor for efficiency. To enable you to get more out of your CLAAS machines than ever before, CLAAS offers you a variety of modules to connect both machines and farm.

Yield mapping lets you see things in a new way.

Sensors in the LEXION measure the yield and grain moisture. CEBIS uses GPS satellites to complement these data with geographical coordinates. The AGROCOM MAP software, which is included, combines the two datasets to generate informative yield maps which have a major influence on your future production strategy.

FLEET VIEW coordinates the fleet.

With FLEET VIEW, you can coordinate the grain transport team in your harvesting fleet in such a way that the combine harvesters can keep on working without idle time. The app informs you in real time about the position of the machines and their grain tank fill levels. You always know which machine needs to be unloaded next. In this way you can avoid idle time and unnecessary vehicle travel, save fuel and make full use of the harvesting machines' capacity.



Remote Service costs you nothing.

Remote Service from CLAAS is an important machine connection element. It simplifies maintenance and service support significantly. The machine informs the service partner of an upcoming requirement for maintenance or sends immediate notification if a fault arises. The service partner has access to the relevant data and can prepare optimally for the intervention in both scenarios. CLAAS covers the cost of Remote Service for you during the first five years. All you have to do is give your consent.

TELEMATICS records your success.

Work data, tracks and yield data for your combine harvester can be retrieved and recorded continuously by means of TELEMATICS. All data are transmitted via the mobile phone network from the machine to the server, where they are processed and stored. You can access and evaluate your data online in real time or retrospectively via the TELEMATICS website using your farm PC, laptop or smartphone. It is also possible to export your data to any current farm management software program.

Don't waste a single centimetre.

Keep the number of passes to a minimum.

Steering systems are an essential tool in your everyday work. Thanks to them, precision to the nearest centimetre is no longer an art. The LEXION is equipped with three automatic steering systems, which you can choose between on the basis of the task in question: the electro-optical LASER PILOT, the digital AUTO PILOT and the satellite-based GPS PILOT.

LASER PILOT for the left-hand edge of the crop.

The electro-optical sensor of the LASER PILOT uses pulses of light to scan the edge between the harvested and unharvested areas and in this way guides the LEXION automatically along the left-hand edge of the crop. The LASER PILOT can be folded and is available for the left-hand side of the cutterbar.

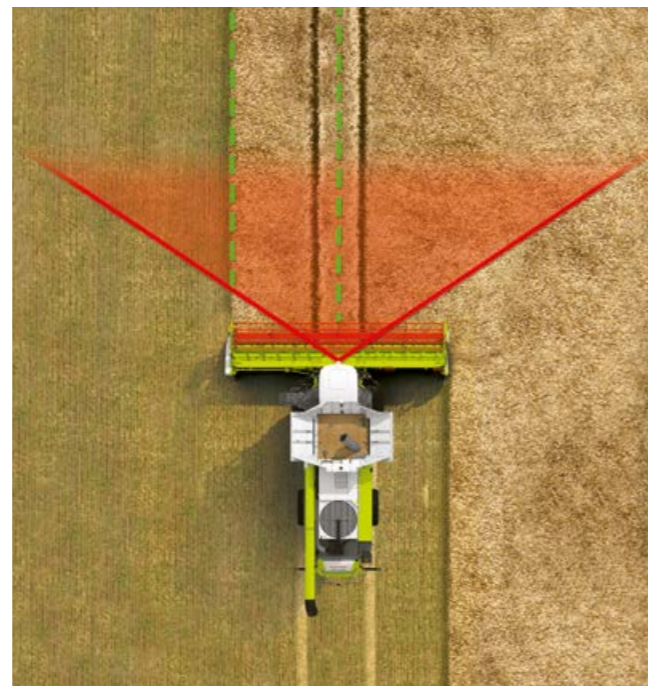
NEW: LASER PILOT with FIELD SCANNER.

As an option, you can replace the sensors at the outer edges of the cutterbar with a FIELD SCANNER which is fitted centrally on the cab roof.

- You no longer need to fold the sensors out and in before and after use
- You don't have to bother with calibration
- Buttons on the control lever are used to activate the three steering modes: along the right or left edge of the crop or along the tramline

AUTO PILOT.

Two digital sensors incorporated in one of the snapping units of the maize picker guide the LEXION automatically through the rows of maize, thereby ensuring it is in the optimal position in the crop.



GPS PILOT with unbeatable steering precision.

The satellite-based, automatic steering system from CLAAS is permanently integrated in the machine and supports you in all tasks which depend on maximum pass-to-pass accuracy.

- Actively controls the steering hydraulics
- Guides you across the field precisely at all speeds
- Even in foggy or dark conditions
- Correction signals available for all accuracy requirements



Inch-perfect precision.

Steering systems provide essential assistance. You can find the ideal CLAAS steering system for your LEXION here.



steeringsystems.claas.com

Even large machines
can be maintained easily.



Reduced maintenance requirement.

Like all its predecessors, the new LEXION is also appreciated for being a model of restraint where maintenance requirements are concerned. The maintenance intervals are long: 1000 hours for the oil in the working hydraulics. And when it is time for maintenance work to be carried out, easy access to all the key maintenance points makes it a fast and simple process.

New features that simplify maintenance for you:

- The centrally routed drain hoses for engine oil and hydraulic oil are easily accessible
- The drain plugs are secured by chains and cannot be lost
- The air compressor with a reservoir enables cleaning tasks to be performed quickly, even in the field



Optimal accessibility.

The newly designed, robust engine compartment cover makes it significantly easier for you to access the grain tank and to perform any maintenance tasks required there. Handrails and a folding step provide additional safety. The straw walkers are accessed easily through openings in the side wall and above the straw chopper at the rear. The rear panel simply hinges up easily, assisted by a gas spring. It is locked in the open position automatically so that it cannot be closed by a gust of wind. Fixed points are provided for the access ladder.

Well thought-out convenience package.

The convenient maintenance package features a number of practical solutions to make daily maintenance tasks more user-friendly:

- Secure bracket for the grease gun
- Water tank with 15 litre capacity
- Removable for filling
- Separate drain cock for hand washing on side of tool compartment



Automatic air hose reel.

The convenient maintenance package of the new LEXION also includes an air hose reel with a 15 m compressed air hose which can be unwound and wound up easily and tidily. The reel is locked as soon as you have unwound the hose. Pulling on the hose briefly causes it to be wound up again automatically. This feature makes fast interim cleaning in the course of the day even more convenient.



See how easy it is
to access the LEXION.

Whatever it takes. CLAAS Service & Parts.



Safeguard your machine's reliability.

Increase your operating reliability, minimise the repair and breakdown risk. MAXI CARE offers you predictable costs. Create your own individual service package to meet your particular requirements.



CLAAS Service & Parts
is there for you, 24/7.
service.claas.com



Specially matched to your machine.

Precision-manufactured parts, high-quality consumables and useful accessories. Choose our comprehensive product range to be certain of receiving exactly the right solution to ensure 100% operating reliability for your machine.



For your farm: CLAAS FARM PARTS.

CLAAS FARM PARTS offers one of the most comprehensive ranges of multi-brand parts and accessories for all agricultural applications on your farm.



Global supply.

The CLAAS Parts Logistics Center in Hamm, Germany, stocks almost 200,000 different parts and has a warehouse area of over 183,000 m². This central spare parts warehouse delivers all ORIGINAL parts quickly and reliably all over the world. This means that your local CLAAS partner can supply the right solution for your harvest or your farm within a very short time.



Your local CLAAS distributor.

Wherever you are, you can count on us to always provide you with the service and the contact persons you need. Your CLAAS partners are on hand in your local area, ready to support you and your machine around the clock. With know-how, experience, commitment and the best technical equipment. Whatever it takes.



- | | | |
|---------------------------------------|--|--------------------------------|
| 1 Comfort cab | 8 Grain elevator with QUANTIMETER | 14 MAN / Mercedes-Benz engines |
| 2 CEMOS AUTOMATIC | 9 Grain tank with up to 13,500 l | 15 SPECIAL CUT chopper |
| 3 Feeder housing with dust extraction | 10 Grain tank unloading tube pivots through 105° | 16 Chaff fan |
| 4 APS SYNFLOW WALKER threshing unit | 11 Grain tank unloading at up to 180 l/s | 17 Power spreader |
| 5 Separator drum | 12 Cover flap for grain tank unloading tube | 18 TERRA TRAC |
| 6 JET STREAM cleaning | 13 DYNAMIC COOLING | 19 Separate returns pan |
| 7 High-performance straw walker | | 20 3D cleaning system |

Arguments that appeal to head and heart.



Efficiency.

- APS SYNFLOW WALKER revolutionises throughput
- Large threshing and separator drums provide a straight, even and fast crop flow
- DYNAMIC COOLING provides cooling as required
- DYNAMIC POWER saves up to 10% of fuel
- JET STREAM cleans your grain impeccably
- 13,500 l unloaded in 75 s
- 40 km/h gets you there quickly



Precision.

- CEMOS AUTOMATIC continuously optimises threshing unit, cleaning system and crop flow
- CEMOS AUTO THRESHING in CEBIS adjusts the threshing drum speed, threshing concave distance, threshing concave bar and flap
- AUTO SLOPE reduces your workload on slopes
- LASER PILOT and GPS steering keep the number of passes to a minimum
- Remote Service connects your machines and speeds up service support
- CEMOS AUTO CHOPPING optimises the chopped material quality and reduces fuel consumption



Comfort.

- The CEBIS touchscreen is as easy to use as your smartphone
- You can operate the CMOTION multifunction lever intuitively
- The direct adjustment function in the armrest allows you to access the most important functions
- You can react quickly to crop type changes
- The new 105° pivot angle improves the view of the grain tank unloading tube

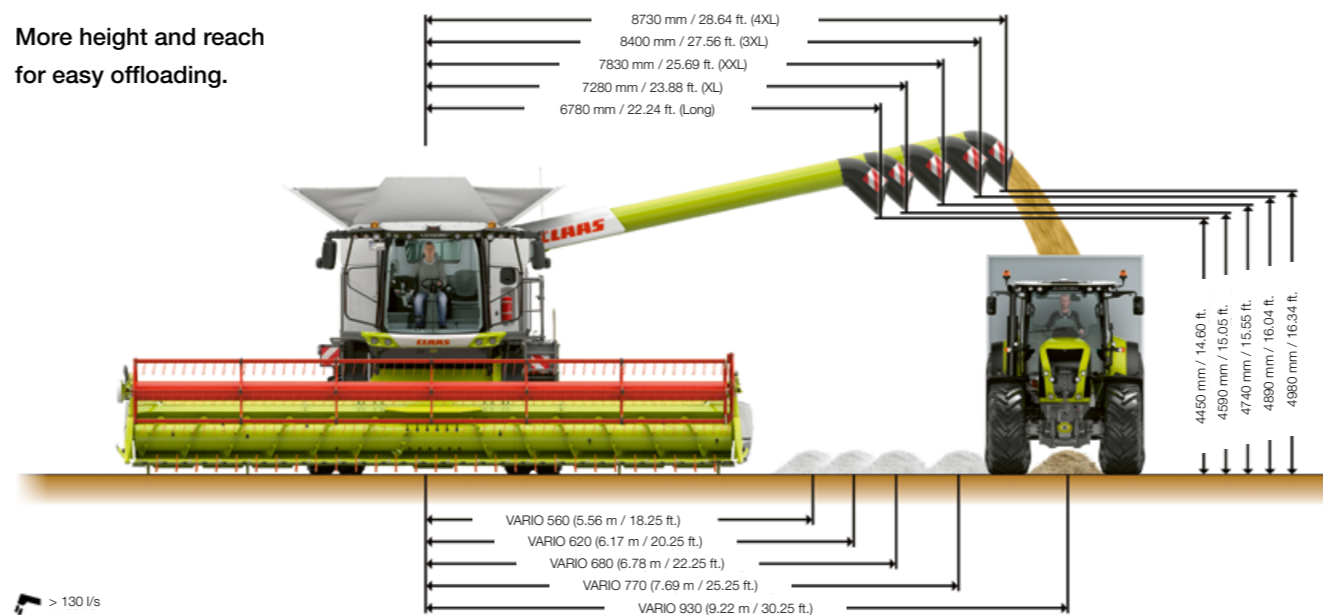


Reliability.

- The revised drive concept impresses with its high efficiency
- The main drive engages gently via the dry clutch
- The use of belt conveyors instead of chains makes for smoother running and a longer service life
- The central lubrication system supplies all lubrication points, including the variators
- Safety is enhanced by the automatic parking brake

LEXION		6900 / 6900 TERRA TRAC	6800 / 6800 TERRA TRAC	6700 / 6700 TERRA TRAC	6600	5500 TERRA TRAC	5400	5300
Threshing unit and primary separation								
APS SYNFLOW WALKER		●	●	●	●	●	●	●
Threshing drum width	mm	1700	1700	1700	1700	1420	1420	1420
Threshing drum diameter	mm	755	755	755	755	755	755	755
Threshing drum speed	rpm	330-930	330-930	330-930	330-930	330-930	330-930	330-930
with reduction gear	rpm	170-460 / 330-930	170-460 / 330-930	170-460 / 330-930	170-460 / 330-930	170-460 / 330-930	170-460 / 330-930	170-460 / 330-930
Concave wrap angle	degrees	132	132	132	132	132	132	132
Main concave area	m ²	1.55	1.55	1.55	1.55	1.30	1.30	1.30
Rice threshing unit		-	-	-	-	○	-	-
Secondary separation								
Separator drum diameter	mm	600	600	600	600	600	600	600
Separator concave area	m ²	1.16	1.16	1.16	1.16	0.97	0.97	0.97
Separator drum contact angle	degrees	116	116	116	116	116	116	116
Straw walkers	No.	6	6	6	6	5	5	5
Straw walker length	mm	3800	3800	3800	3800	3800	3800	3800
Total secondary separation area	m ²	7.62	7.62	7.62	7.62	6.37	6.37	6.37
Crop cleaning								
JET STREAM		●	●	●	●	●	●	●
Turbine fan		8-way	8-way	8-way	8-way	6-way	6-way	6-way
Fan adjustment, hydraulic		●	●	●	●	●	●	●
Dual ventilated step		●	●	●	●	●	●	●
3D-cleaning system		○	○	○	○	○	○	○
Total sieve area	m ²	6.20	6.20	6.20	6.20	5.10	5.10	5.10
Returns display in CEBIS		○	○	○	○	○	○	○
GRAINMETER		○	○	○	○	○	○	○
Grain tank								
Capacity (as per ANSI/ASAE S312.2)	l	12500/13500	11000/12500	10000/11000	9000/11000	10000/11000	10000	9000/10000
Unloading auger swivel angle	degrees	105	105	105	105	105	105	105
Unloading rate	l/s	130/180	110/130	110/130	110 /130	110/130	110	110
QUANTIMETER yield meter		○	○	○	○	○	○	○

More height and reach for easy offloading.



> 130 l/s

● Standard ○ Option □ Available - Not available

LEXION		6900 / 6900 TERRA TRAC	6800 / 6800 TERRA TRAC	6700 / 6700 TERRA TRAC	6600	5500 TERRA TRAC	5400	5300
Chopper								
SPECIAL CUT straw chopper, knives	No.	88	88	88	88	72	72	72
STANDARD CUT straw chopper, knives	No.	64	64	64	64	52	52	52
Power spreader		○	○	○	○	○	○	○
Hydraulic changeover from cab (road travel, swathing, chopping)		○	○	○	○	○	○	○
Hydraulic adjustment static knife and friction concave plate		○	○	○	○	○	○	○
Chaff spreader		○	○	○	○	○	○	○
Chaff fan with power spreader		○	○	○	○	○	○	○
Automatic discharge direction adjustment		○	○	○	○	○	○	○
Running gear								
TERRA TRAC crawler tracks with hydropneumatic suspension		○	○	○	-	●	-	-
POWER TRAC all-wheel drive		○	○	○	○	○	○	○
2-speed manual transmission		●	●	●	●	●	●	●
40 km/h		○	○	○	○	○	○	-
Differential lock for wheeled machine		○	○	○	○	-	○	○
Car-like driving characteristics		●	●	●	●	●	●	●
Engine Stage V								
Manufacturer / Type		MAN D26	Mercedes-Benz / OM 470 LA	Mercedes-Benz / OM 470 LA	Mercedes-Benz / OM 936 LA	Mercedes-Benz / OM 470 LA	Mercedes-Benz / OM 936 LA	Mercedes-Benz / OM 936 LA
Cylinders / displacement	No./l	6/12.4	6/10.7	6/10.7	6/10.7	6/10.7	6/7.7	6/7.7
Maximum output (ECE R 120)	kW/hp	373/507	340/462	300/408	260/354	300/408	260/354	230/313
Fuel consumption measurement		○	○	○	○	○	○	○
Fuel tank capacity	l	950	950	950	950	950	950	950
Urea tank capacity		110	110	110	110	110	110	110
DYNAMIC COOLING		●	●	●	●	●	●	●
DYNAMIC POWER		●	●	●	●	●	●	●
Data management								
TELEMATICS		●	●	●	●	●	●	●
Job management		○	○	○	○	○	○	○
Yield mapping		○	○	○	○	○	○	○
Remote Service		○	○	○	○	○	○	○
Operator assistance systems								
CRUISE PILOT		○	○	○	○	○	○	○
CEMOS AUTO THRESHING		○	○	○	○	○	○	○
CEMOS AUTO CLEANING		○	○	○	○	○	○	○
CEMOS AUTO CHOPPING		○	○	○	○	○	○	○
AUTO SLOPE		○	○	○	○	○	○	○
AUTO CROP FLOW		○	○	○	○	○	○	○
CEMOS DIALOG		○	○	○	○	○	○	○
GRAIN QUALITY CAMERA		○	○	○	○	○	○	○
Steering systems								
GPS PILOT, LASER PILOT, AUTO PILOT		○	○	○	○	○	○	○
Weights (can vary depending on equipment) without front attachment, straw chopper and chaff spreader, full fuel tank, full urea tank	kg	17950/20650 (TERRA TRAC)	17950/20650 (TERRA TRAC)	17950/20650 (TERRA TRAC)	17950	18950	16150	16150

CLAAS continually develops its products to meet customers' requirements, so all products are subject to change without notice. All descriptions and specifications in this brochure should be considered approximate and may include optional equipment that is not part of the standard specifications. This brochure is designed for worldwide use. Please consult your nearest CLAAS dealer and their price list for local specification details. Some protective panels may have been removed for photographic purposes in order to present the function clearly. To avoid hazards, never remove these protective panels yourself. Please refer to the relevant instructions in the operator's manual in this regard. All technical specifications relating to engines are based on the European emission regulation standards: Stage. Any reference to the Tier standards in this document is intended solely for information purposes and ease of understanding. It does not imply approval for regions in which emissions are regulated by Tier.

● Standard ○ Option □ Available - Not available

LEXION			6900	6800	6700	6600	5500 TERRA TRAC	5400	5300
--------	--	--	------	------	------	------	--------------------	------	------

Tyres on drive axle

Tyre size		ø cat.	External width						
1250/50 R 32	m	2.05	5.15	5.15	5.15	5.15	—	—	—
VF 900/60 R 42 CFO	m	2.15	3.90	—	—	—	—	—	—
900/60 R 42 CHO	m	2.15	3.90	—	—	—	—	—	—
800/70 R 42 CHO	m	2.15	3.76	—	—	—	—	—	—
680/80 R 42 CHO	m	2.15	3.49	—	—	—	—	—	—
VF 900/60 R 38 CHO	m	2.05	3.90	3.90	3.90	3.90	—	3.62	3.62
900/60 R 38 CHO	m	2.05	3.90	3.90	3.90	3.90	—	3.62	3.62
800/70 R 38 CHO	m	2.05	3.76	3.76	3.76	3.76	—	3.49	3.49
680/80 R 38 CHO	m	2.05	3.49	3.49	3.49	3.49	—	3.22	3.22
900/60 R 32	m	1.95	3.90	3.90	3.90	3.90	—	3.62	3.62
IF 800/70 R 32 CFO	m	1.95	3.76	3.76	3.76	3.76	—	3.48	3.48
800/70 R 32	m	1.95	3.76	3.76	3.76	3.76	—	3.48	3.48
710/75 R 34	m	1.95	3.65	3.65	3.65	3.65	—	3.37	3.37
IF 680/85 R 32 CFO	m	1.95	3.49	3.49	3.49	3.49	—	3.28	3.28
TERRA TRAC 635 mm	m	—	3.49	3.49	3.49	—	3.29	—	—
TERRA TRAC 735 mm	m	—	3.79	3.79	3.79	—	3.49	—	—
TERRA TRAC 890 mm	m	—	3.99	3.99	3.99	—	3.79	—	—

LEXION			6900	6800	6700	6600	5500 TERRA TRAC	5400	5300
--------	--	--	------	------	------	------	--------------------	------	------

Tyres on steering axle

Tyre size		ø cat.	External width						
750/65 R 26	m	1.60	3.94	—	—	—	—	—	—
710/60 R 30	m	1.65	3.89	—	—	—	—	—	—
VF 620/70 R 30	m	1.65	3.69	—	—	—	—	—	—
620/70 R 30	m	1.65	3.69	—	—	—	—	—	—
VF 520/85 R 30	m	1.65	3.49	—	—	—	—	—	—
500/85 R 30	m	1.65	3.47	—	—	—	—	—	—
VF 620/70 R 26	m	1.50	3.69	3.69	3.69	3.69	3.49	3.49	3.49
600/65 R 28	m	1.50	3.69	3.69	3.69	3.69	3.49	3.49	3.49
500/85 R 24	m	1.50	3.48	3.48	3.48	3.48	3.28	3.28	3.28

Front attachments

VARIO cutterbars		VARIO 1230 ¹ , VARIO 1080, VARIO 930, VARIO 770, VARIO 680, VARIO 620, VARIO 560
CERIO cutterbars		CERIO 930, CERIO 770, CERIO 680, CERIO 620, CERIO 560
Rapeseed equipment		For all standard and VARIO cutterbars, not available for CERIO cutterbars
Folding cutterbars		C 540, C 450
SUNSPED	rows	16, 12, 8
MAXFLEX		MAXFLEX 930, MAXFLEX 770, MAXFLEX 620, MAXFLEX 560
CONVIO FLEX / CONVIO		CONVIO FLEX 1230 ¹ , CONVIO FLEX 1080, CONVIO FLEX 930, CONVIO FLEX 770, CONVIO 1230 ¹ , CONVIO 1080, CONVIO 930, CONVIO 770
VARIO rice cutterbars		Available as HD version with rice harvesting accessory pack
CERIO rice cutterbars		Available as HD version with rice harvesting accessory pack
SWATH UP		SWATH UP 450
Front attachment variable speed drive (electrohydraulic)	rpm	284-420
Front attachment step drive	rpm	332, 420
Instant cutterbar brake		o

¹ Only for LEXION with TERRA TRAC



CLAAS UK
Saxham
Bury St. Edmunds
Suffolk
IP28 6QZ
Tel 01284 763100
claas.co.uk
info-uk@claas.com

365FarmNet enables you to manage your entire agricultural business by means of a single, non-proprietary software solution. Interfaces to intelligent applications created by partners in the agricultural sector offer expert support for your business 365 days a year. CLAAS is a 365FarmNet partner.